



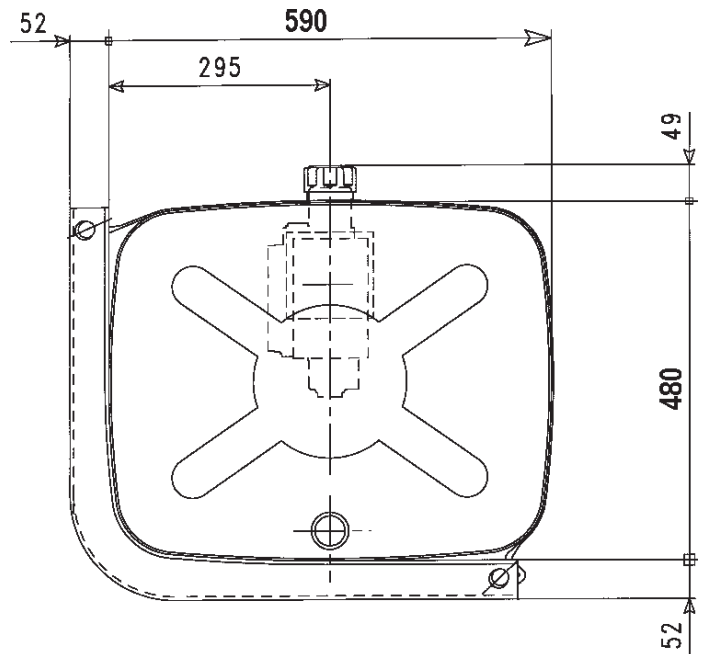
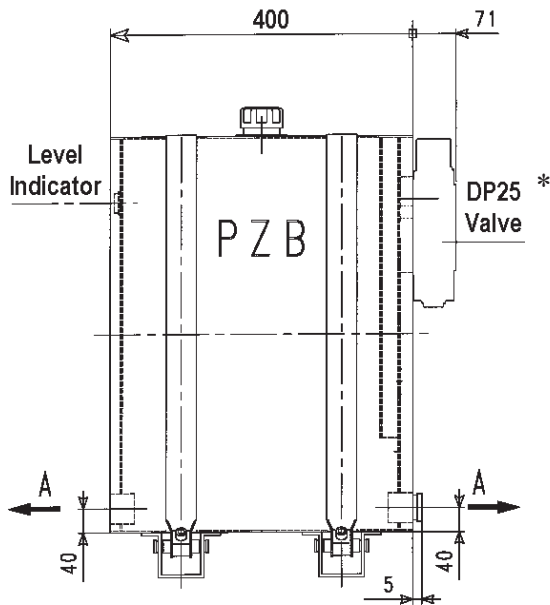
HYDRAULIC COMPONENTS & POWER TAKE OFFS



CHASSIS MOUNT COMPACT **TK012SP** TANK WITH TIPPING VALVE SUBPLATE

Features:

- ✓ Complete with brackets & straps
- ✓ Filler breather
- ✓ Sight Gauge



Code	Cap.	Displ Cap.	No of Brackets	Suction Port	Return Port	Weight
TK012SP	100lt	70lt	2	1¼" x 2	1"	36kg

* 2053650000 - Stud kit for mounting DP25 Valve (not supplied)