



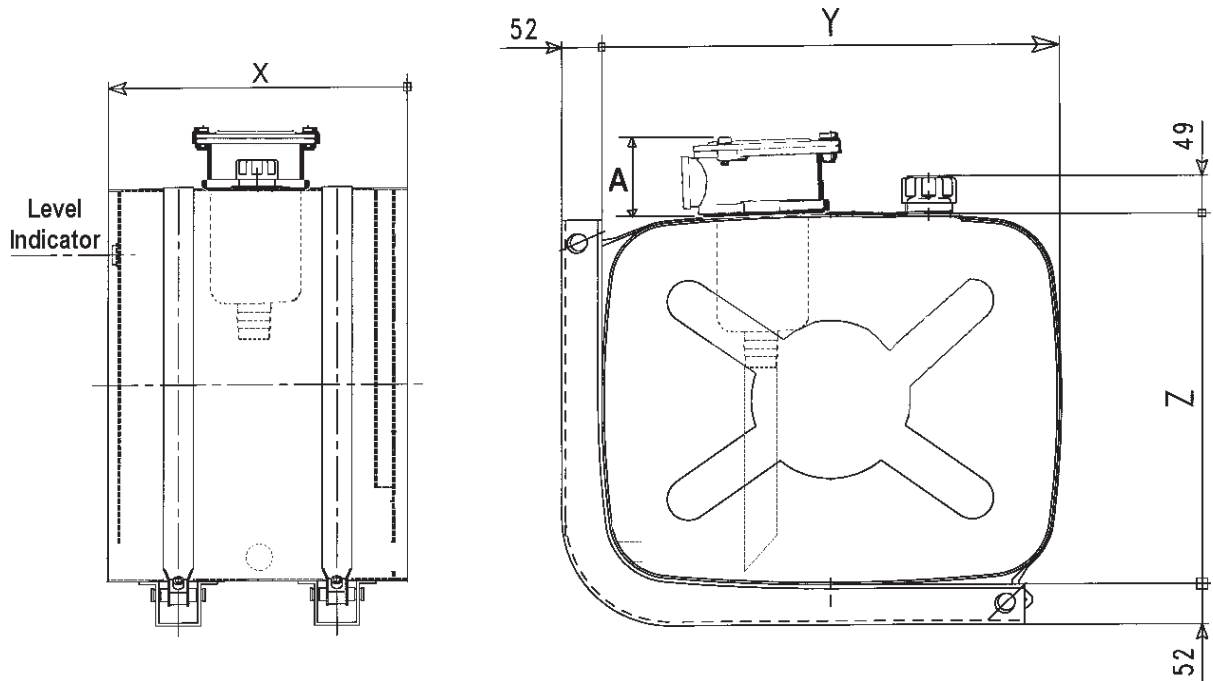
HYDRAULIC COMPONENTS & POWER TAKE OFFS

CHASSIS MOUNT WITH TANK TOP FILTER **TK01XSP**



Features:

- ✓ Complete with brackets & straps
- ✓ Filler breather
- ✓ Sight Gauge
- ✓ Tank top filter



SPECIFICATIONS							
Order Code	Capacity	Displ. Capacity	No of Brackets	Suction Port (rear port)	Return Port	Filter Flow	Filter Element
TK011SP	80lt	58lt	2	1¼"	1"	85lt max.	25µ
TK013SP	120lt	87lt	2	1¼"	1"	85lt max	25µ
TK014SP	170lt	150lt	2	1¼"	1¼"	200lt	25µ
TK015SP	205lt	185lt	2	1¼"	1¼"	200lt	25µ

Dimensions					
Code	X	Z	Y	A	Weight
TK011SP	320	480	590	72	27kg
TK013SP	480	480	590	72	38kg
TK014SP	420	660	660	89	59kg
TK015SP	500	660	660	89	61kg