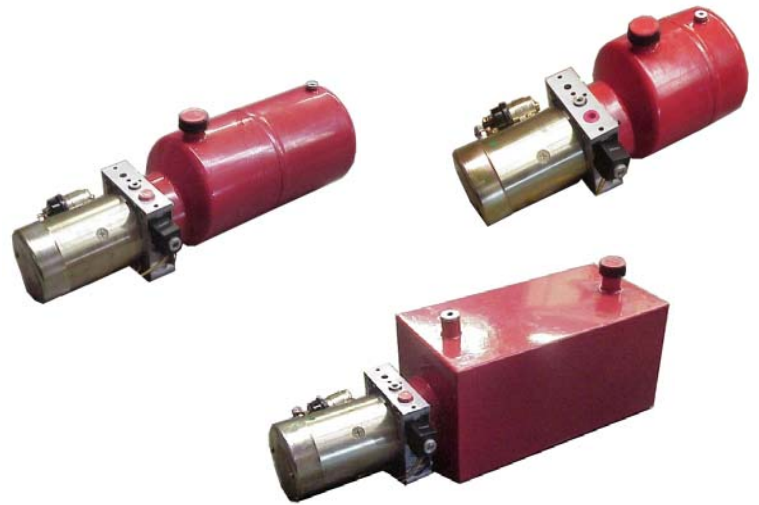




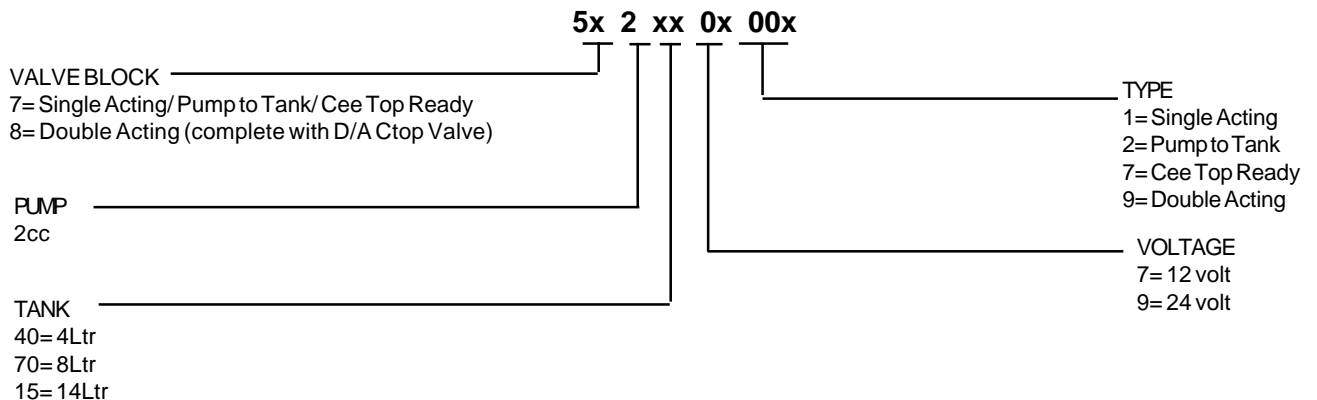
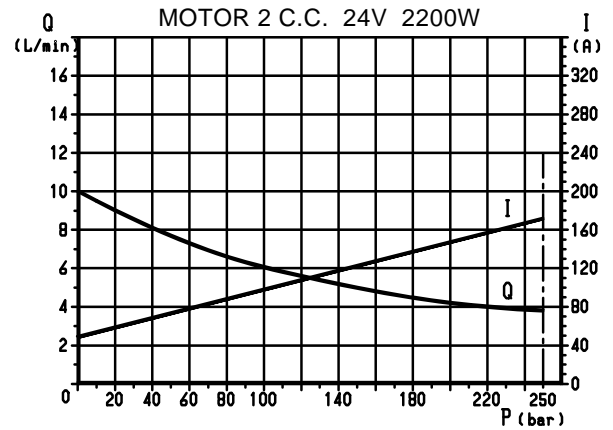
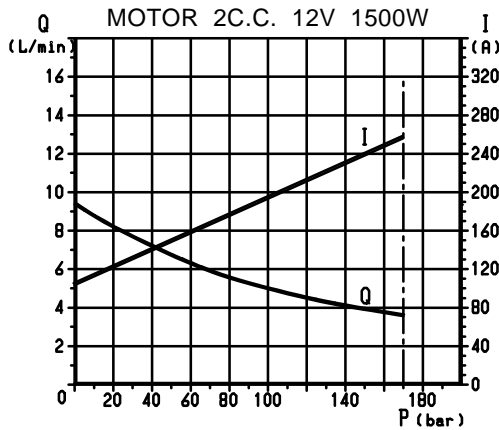
No. 1 in Transport Hydraulics

12V & 24V POWERPACKS

5x2

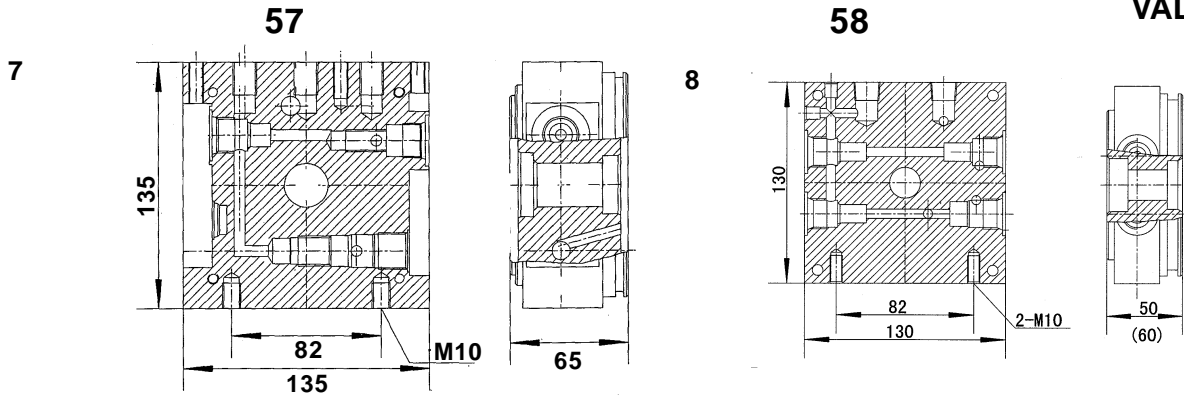


IMPORTANT NOTE: Because of the high current draw when operating, these units are rated only for intermittent duty. A sufficient cool down period must be allowed between operations. The electric motor also exhibits the characteristics of a series wound motor in that the speed (rpm.) slows as the load increases. Consequently the flow from the pump decreases in proportion to this speed decrease.

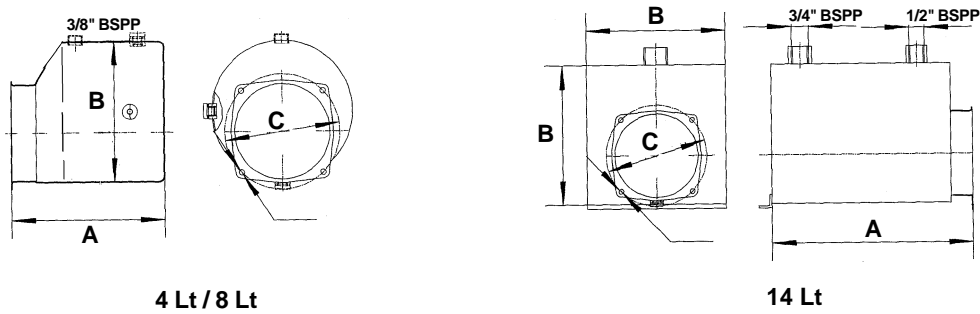


DIMENSIONAL DETAIL

VALVE BODY

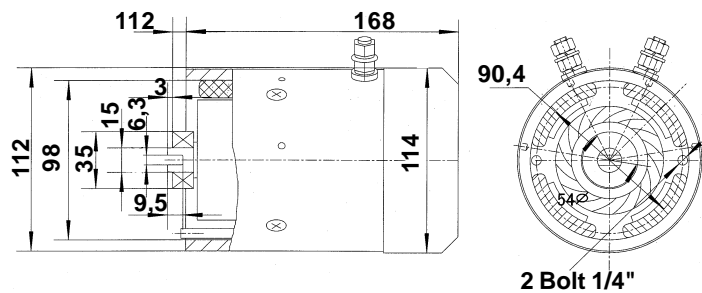


TANK



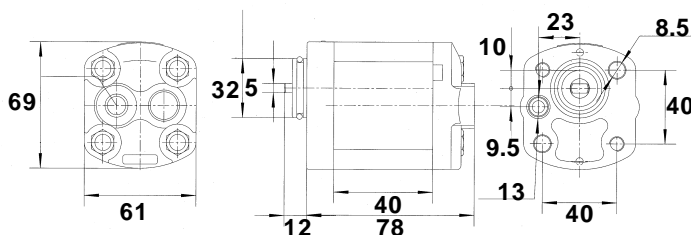
TYPE	CODE	CAPACITY	DISPLACEMENT CAPACITY	A	B	C	Flange Hole
40	TS-178-04	4lt	3 lt	225	178	142	4
70	TS-178-08	8lt	6 lt	370	178	142	4
15	TS-200-14	14 lt	13 lt	410	200	142	7

MOTOR



TYPE	CODE	VOLT	TYPE	WATT	TYPE
12V	MD12160	12	A	1500	DC motor
24V	MD24220	24	A	2200	DC motor

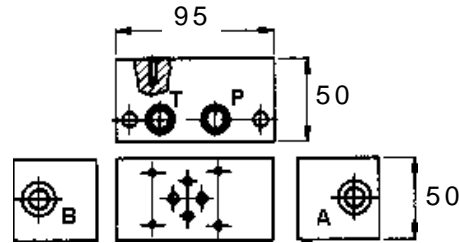
PUMP



CODE	CC/REV	MAX PRESSURE
CBK-F120	2.0 CC	250 BAR

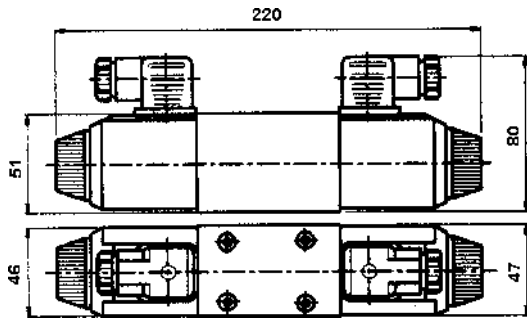
OPTIONS

CEE TOP MOUNTING KIT



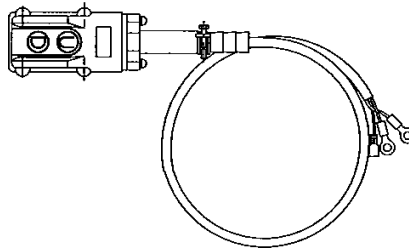
CODE	TYPE	Port A	Port B
CTOPKIT3	CEE TOP 3	1/4"	1/4"

CEE TOP SOLENOID VALVES



CODE	VOLTS	DESCRIPTION
EC3-2C-12V	12V	Double Acting Cetop Valve
EC3-2C-24V	24V	Double Acting Cetop Valve

PUSH BUTTON CONTROL



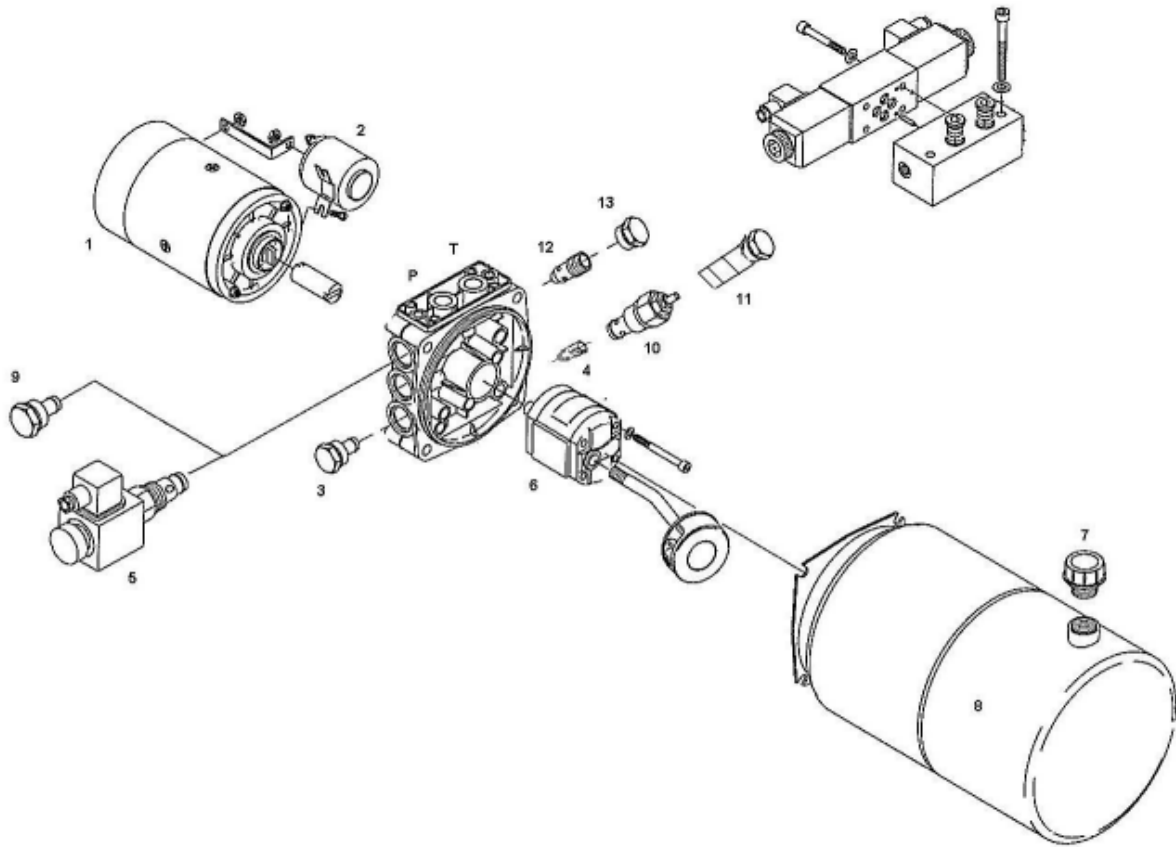
CODE	TYPE
299008A000	PUSH BUTTON ALL WEATHER

COMPENSATED VALVE



CODE	DESCRIPTION
FCV-0309	Compensated Valve

SPARE PARTS



Ref	Part Number	Description
1	MD12-160 MD24-220	12V MOTOR 1600W WITHOUT STARTER 24V MOTOR 2200W WITHOUT STARTER
2	SS80A-12V BLACK SS80B-12V GOLD SS80A-24V BLACK SS80B-24V GOLD	12V STARTER SOLENOID 200 AMP 24V STARTER SOLENOID 140 AMP
3	PP001	PORT PLUG SHORT
4	CV010	CHECK VALVE INTERNAL (57 SERIES ONLY)
5	SOL004-12V SOL004-24V	12V LOWERING SOLENOID (S/A) (001 BUILD) 24V LOWERING SOLENOID (S/A) (001 BUILD)
6	CBKF120	PUMP 2CC
7	FB-1/2P FB-1/2P	FILLER/BREATHER (4LT & 8LT TANKS) FILLER/BREATHER (14LT TANK)
8	TS-178-04 TS-175-08 TS-200-14	TANK 4LT TANK 8LT TANK 14LT
9	CP001	CAVITY PLUG (C TYPE BODY ONLY) (002,007 BUILD)
10	RV008 RV009	RELIEF VALVE (57 SERIES) RELIEF VALVE (58 SERIES)
11	RP001	RELIEF PLUG (002 BUILD)
12	FCV-0309	FLOW COMPENSATED VALVE 9/16"
13	PLUG34U	PLUG 3/4" UNO
	SKPP006	COMPLETE SEAL KIT