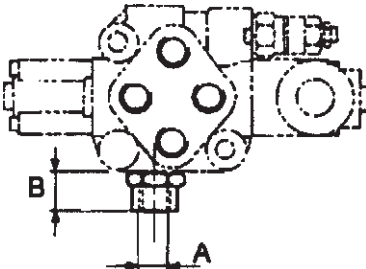
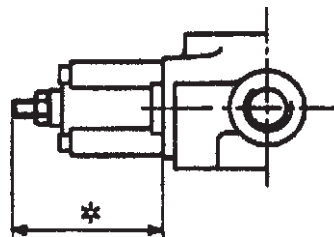
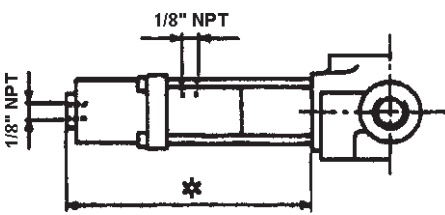
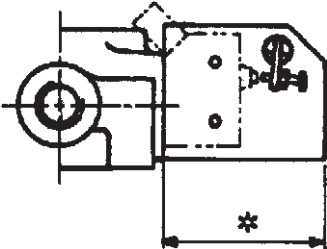


			L40	L45	M45	M70	M130
HPC	Presetting for tandem connection (CARRY-OVER)			A ½ BSP	A ½ BSP	A ½ BSP	A ½ BSP
			B 24	B 24	B 24	B 12	
H9	Device with stroke limiter in the drive unit			*		*	*
			66		66	66	
XC	Device for spool pneumatic driving: lever unit and drive C1 only	 <p>Spool drive C1 only</p>		*	*	*	*
			143	120	143	143	
VC	MICROSWITCH driving device			*	*		
			70	70			