

POWER TAKE-OFF

3.2.30.3.



FOR GEARBOX :

- HINO MC 10C
- ME 05, 06C, 06S, 10, 10C, 10S
- MF 06S
- 800-6C
- 900-6S
- 900-10D

Technical data: refer to transmission application manual.

OUTPUT TORQUE:

25 kgm. (increase of 50% for intermittent service).

WEIGHT: kg. 7,7

3.2.30.3.X.XX.0.X

BASIC SERIAL NUMBER

COMPANION FLANGE FOR REMOTE TRANSMISSION

0 = NO OPTION

1 = SPICER 1120 CODE 2.05.054.0000

2 = SPICER 1300 CODE 2.05.055.0000

3 = DIN 00 CODE 2.05.056.0000

6 = DIN 10 CODE 2.05.077.0000

SHIFTING

1 = PNEUMATIC

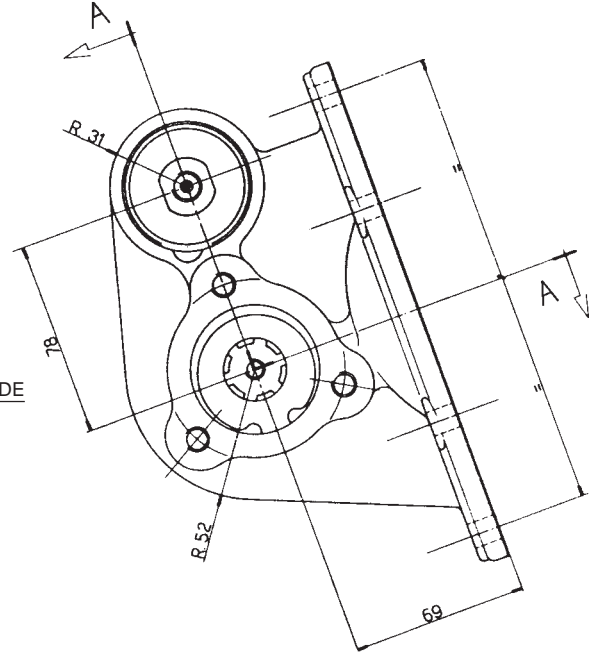
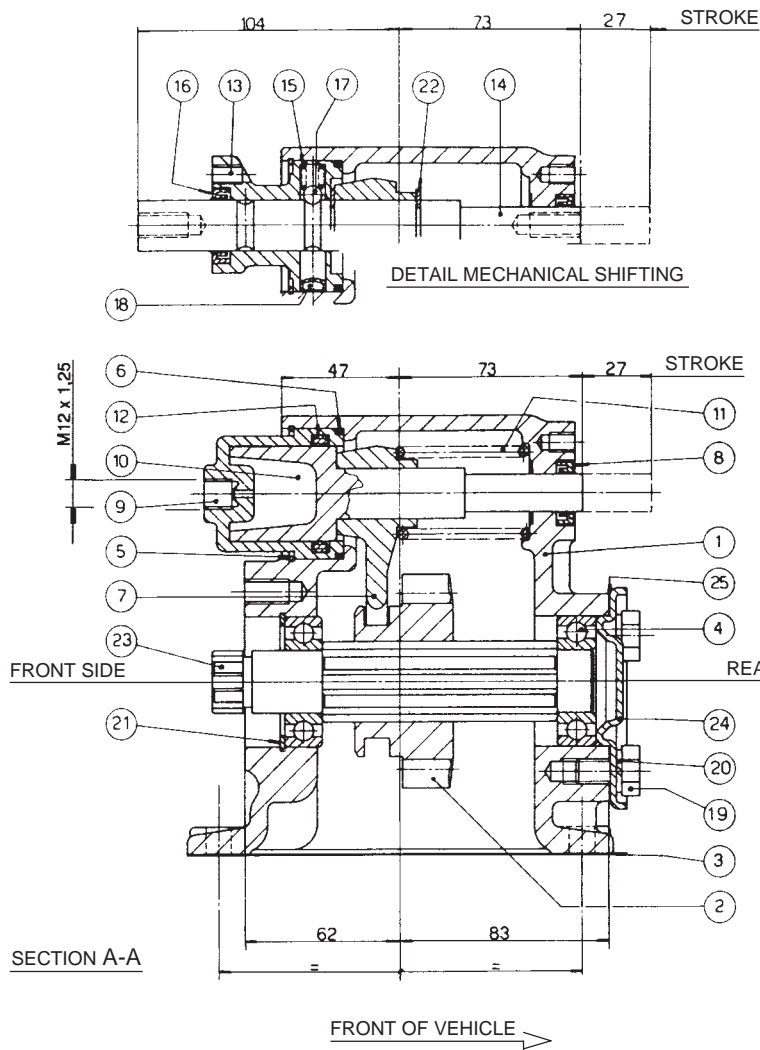
2 = MECHANICAL

OUTPUT SHAFT OPTION

OUTPUT SHAFT OPTION

DOUBLE OUTPUT SHAFT OPTION

DESCRIPTION	CODE		POSSIBLE COMBINATIONS	CODE
	FORW.	REAR.		
For remote transmission (see chart X group A)		02	03 + 04	= 12
Direct mounting PZB pumps-3 bolt mtg. flange (see chart Y type A)	03	04	03 + 02	= 19



REF.	CODE	DESCRIPTION	QT.
1	1.01.01.017.00	Housing	1
2	1.11.07.063.00	Gear 14 T	1
3	1.29.01.081.00	Gasket PTO/gearbox	1
4	0.10.01.001.00	Bearing 6205	2
5	0.07.05.002.00	Circlip SB52	1
6	0.08.02.056.00	O-Ring OR 3187	1
7	1.22.01.001.00	Fork mod5/12	1
8	0.08.01.004.00	Seal 15x26x7	1
9	1.08.01.006.00	Cylinder 218D/5	1
10	1.21.01.015.00	Piston 218D/6	1
11	1.28.01.002.00	Coil spring 216/3	1
12	0.08.02.010.00	O-Ring OR 6150	1
13	1.25.03.011.00	Bushing 218D/8	1
14	1.14.03.041.00	Shaft 218D/7	1
15	1.28.01.022.00	Coil spring 210/8	1
16	0.08.01.005.00	Seal 20x30x7	1

REF.	CODE	DESCRIPTION	QT.
17	0.11.01.002.00	Ball 3/8"	1
18	0.12.01.021.00	Cover FIAT 1/43282/01	1
19	0.01.01.003.00	Capscrew TE M10x16 UNI 5739 CL RES 8.8	3
20	0.04.02.003.00	Lockwasher 10,5 UNI 1751	3
21	0.07.02.004.00	Circlip 52i UNI 7437 (single output)	1
	0.07.02.004.00	Circlip 52i UNI 7437 (double output)	2
22	0.07.03.001.00	Circlip RS15 UNI 7434	2
23	1.13.01.006.00	Shaft 306/7 (single output)	1
	1.13.02.005.00	Shaft 205PU/8 (double output)	1
24	1.24.02.002.00	Cover mod20/4	1
25	1.29.01.004.00	Gasket mod.39/3	1