

SAE 8 BOLT POWER TAKE-OFF

3.2.31.1.



FOR GEARBOX :

- FULLER
- I.H.C.
- MACK
- SPICER
- WHITE

Technical data: refer to transmission application manual.
OUTPUT TORQUE:
 25 kgm. (increase of 50% for intermittent service) if permitted
 by gearbox.

WEIGHT: kg. 12

3.2.31.1.X.XX.0.X

BASIC SERIAL NUMBER

COMPANION FLANGE FOR REMOTE TRANSMISSION

0 = NO OPTION

1 = SPICER 1120 CODE 2.05.054.0000

2 = SPICER 1300 CODE 2.05.055.0000

3 = DIN 00 CODE 2.05.056.0000

6 = DIN 10 CODE 2.05.077.0000

SHIFTING

1 = PNEUMATIC

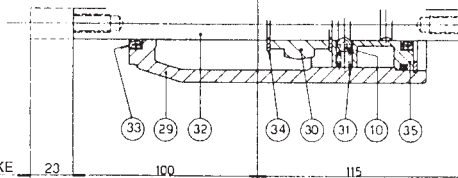
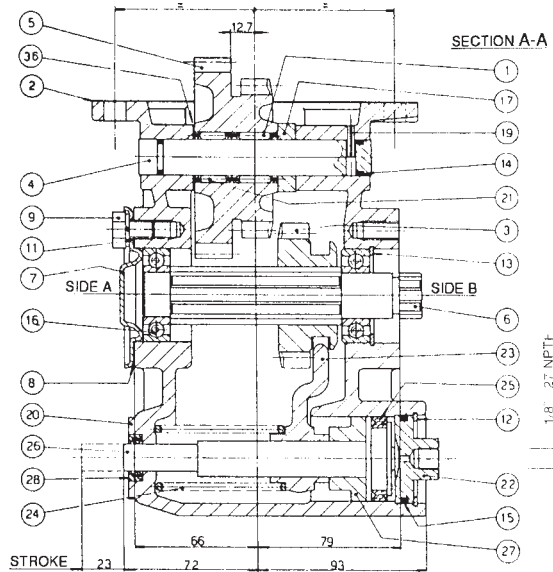
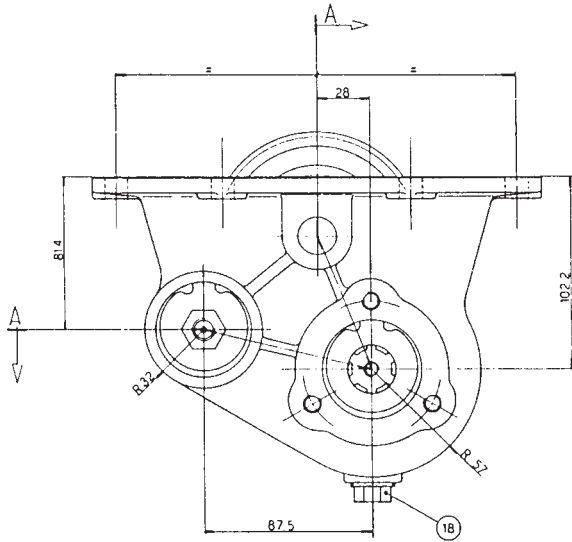
2 = MECHANICAL

OUTPUT SHAFT OPTION

OUTPUT SHAFT OPTION

DOUBLE OUTPUT SHAFT OPTION

DESCRIPTION	CODE		POSSIBLE COMBINATIONS	CODE
	SIDE A	SIDE B		
For remote transmission (see chart X group A)	01	02	01 + 02	= 11
Direct mounting PZB pumps-3 bolt mtg. flange (see chart Y type A)	03	04	03 + 04	= 12
			01 + 04	= 15
			03 + 02	= 19



MECHANICAL SHIFTING

REF.	CODE	DESCRIPTION	QT.
1	0.10.06.004.00	Needle cage K20x28x25	1
2	1.29.01.021.00	Gasket PTO/gearbox SAE 8F 0,5	1
3	1.11.07.007.00	Gear 24 T 731A/3	1
4	1.14.01.006.00	Shaft 306/5	1
5	1.11.02.039.00	Gear 25/18 T	1
6	1.13.01.006.00	Shaft 306/7 (single output)	1
	1.13.02.005.00	Shaft 207PU/8 (double output)	1
7	1.24.02.002.00	Cover mod20/4	1
8	1.29.01.004.00	Gasket mod.39/3	1
9	0.01.01.003.00	Capscrew TE M10x16 UNI 5739 CL RES 8.8	3
10	0.11.01.001.00	Ball 5/16"	1
11	0.04.02.003.00	Lockwasher 10,5 UNI 1751	3
12	0.07.02.003.00	Circlip 49i UNI 7437	1
13	0.07.02.004.00	Circlip 52i UNI 7437	1
14	0.08.02.003.00	O-Ring OR 119	2
15	0.08.02.004.00	O-Ring OR 147	1
16	0.10.01.001.00	Bearing 6205	2
17	1.26.01.050.00	Spacer	1

REF.	CODE	DESCRIPTION	QT.
18	0.12.01.002.00	Plug FIAT 1/43262/11	1
19	0.05.02.001.00	Roll pin 4x18 UNI 6873	1
20	1.01.02.023.00	Housing 731/5	1
21	0.10.06.003.00	Needle cage K20x28x20	1
22	1.24.01.004.00	Cover mod4/2 G1/8	1
23	1.22.01.005.00	Fork mod5/7	1
24	1.28.01.001.00	Coil spring mod.7/1	1
25	1.29.02.002.00	Gasket mod.13/1	1
26	1.21.01.003.00	Piston mod32	1
27	1.25.03.002.00	Bushing mod 33/1	1
28	0.08.01.004.00	Seal 15x26x7	1
29	1.01.02.024.00	Housing 731/6 for mechanical shifting	1
30	1.22.01.006.00	Fork mod5/7/1	1
31	1.28.01.004.00	Coil spring mod.15/1	1
32	1.14.03.002.00	Shaft mod 32/8	1
33	0.08.01.003.00	Seal 17x28x7	2
34	0.07.03.001.00	Circlip RS15 UNI 7434	2
35	1.25.03.004.00	Bushing mod 47	1
36	0.04.01.046.00	Washer 36,9x20,15x0,5 TMP	1