

CLUTCH DRIVE, AIR OPERATED POWER TAKE-OFF

3.2.91.6.

COSTANT MESH POWER TAKE-OFF

3.2.91.7.



FOR GEARBOX :
ALLISON HD - MD

Technical data: refer to transmission application manual.

POWER TAKE-OFF	OUTPUT TORQUE
3.2.91.6	Kgm 40
3.2.91.7	Kgm 45

WEIGHT: kg. 18,550
kg. 14,750

3.2.91.X.1.0000

BASIC SERIAL NUMBER

VERSION

6 = CLUTCH DRIVE, AIR OPERATED PTO - 40 KGM

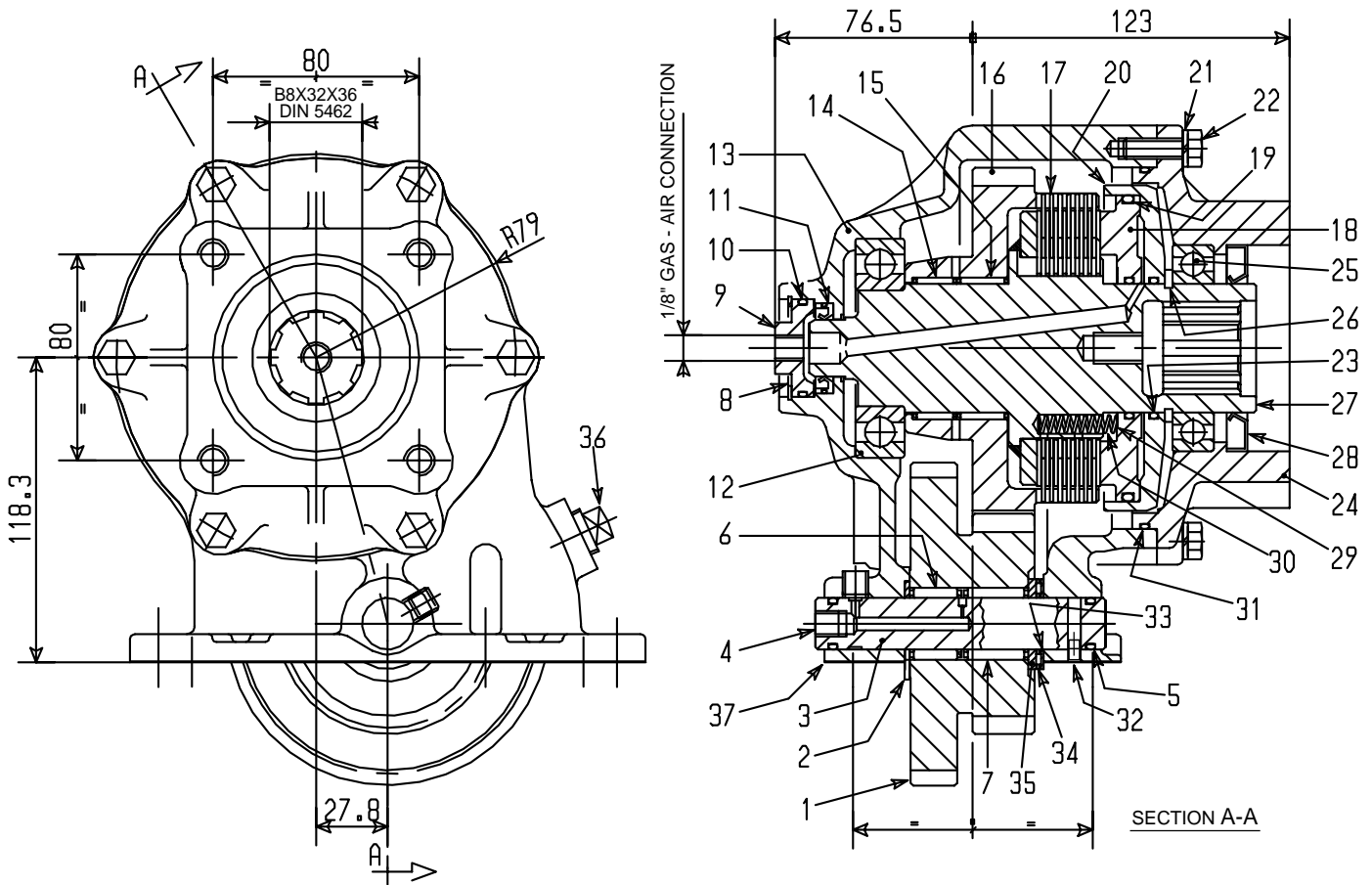
7 = COSTANT MESH PTO - 45 KGM

OUTPUT SHAFT OPTION

DESCRIPTION

For remote transmission DIN 00/SPICER 1120 (see chart X group E)	KIT 2.05.330.0000
For remote transmission DIN 10/SPICER 1300 (see chart X group E)	KIT 2.05.323.0000
Direct mounting PZB pumps-3 bolt mtg. flange (see chart Y type M)	KIT 2.05.324.0000
Direct mounting ISO 4 bolt mtg. flange pumps (see chart Y type H)	KIT 2.05.087.0000

VERSION 3.2.91.6.



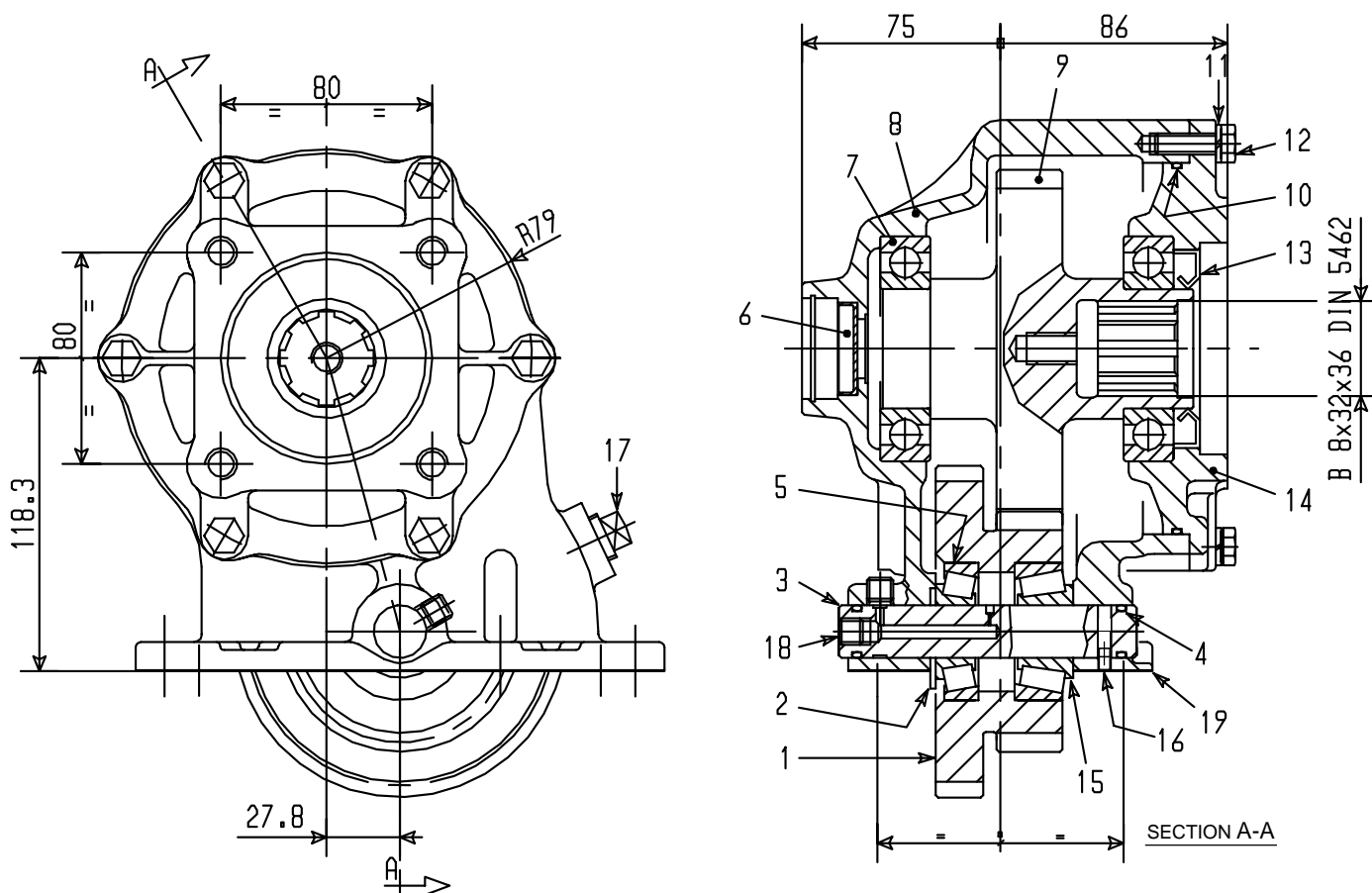
USE:

PTO LUBRICATION KIT **CODE 2.99.134.0000**

REF.	CODE	DESCRIPTION	QT.
1	1.11.02.148.00	Gear 44/27 T	1
2	1.27.01.036.00	Washer 43x20,2x2	1
3	1.14.01.068.00	Shaft	1
4	0.01.05.038.00	Capscrew STEI G1/8 DIN 906 CL RES 5.8	2
5	0.08.02.136.00	O-Ring OR 119 Viton	2
6	0.10.06.003.00	Needle cage K20x28x20	1
7	0.10.06.004.00	Needle cage K20x28x25	1
8	0.07.02.023.00	Circlip 38i UNI 7437	1
9	1.24.01.097.00	Cover	1
10	0.08.02.146.00	O-Ring OR 3131 Viton	1
11	1.29.02.025.00	Seal	1
12	0.10.01.003.00	Bearing 6209	1
13	1.01.02.133.00	Housing	1
14	0.10.06.019.00	Needle cage K50x55x17H	1
15	0.10.06.017.00	Needle cage K50x55x20H	1
16	1.11.01.129.00	Gear 45 T	1
17	0.00.10.001.00	Clutch discs	1
18	1.21.02.042.00	Piston	1
19	0.08.02.132.00	O-Ring OR 4437 Viton	1

REF.	CODE	DESCRIPTION	QT.
20	1.08.01.018.00	Cylinder	1
21	0.04.02.002.00	Lockwasher 8,4 UNI 1751	6
22	0.01.01.002.00	Capscrew TE M8x25 UNI 5739 CL RES 8.8	6
23	0.08.02.131.00	O-Ring OR 3200 Viton	2
24	1.09.01.040.00	Support	1
25	0.10.01.004.00	Bearing 6010	1
26	0.07.01.028.00	Circlip AS50 x 3 DIN 471	1
27	1.13.01.156.00	Shaft	1
28	0.08.01.095.00	Seal 50x80x8 Viton	1
29	0.04.01.028.00	Spacer 62x54x0,3	1
30	1.28.01.114.00	Coil spring	3
31	0.08.02.147.00	O-Ring OR 3525 Viton	1
32	0.01.05.052.00	Capscrew STEI M6x8 UNI 5925	1
33	0.10.11.001.00	Bearing disc AS 2035	1
34	0.10.10.002.00	Axial roller bearing ANK 2035	1
35	0.10.11.002.00	Bearing disc LS 2035	1
36	0.12.01.049.00	Drain plug 18x1,5 FIAT 1/43236/11	1
37	1.29.01.129.00	Gasket PTO/gearbox	1

VERSION 3.2.91.7.



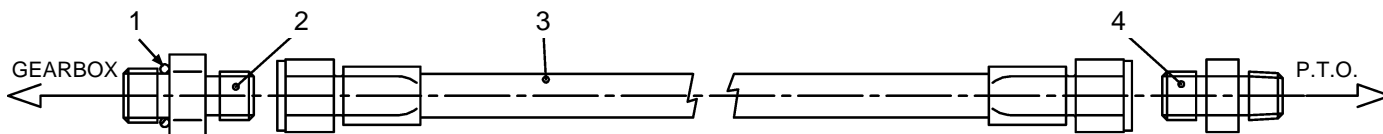
USE:

PTO LUBRICATION KIT CODE 2.99.134.0000

REF.	CODE	DESCRIPTION	QT.
1	1.11.02.152.00	Gear 44/28 T	1
2	1.27.01.036.00	Washer 43x20,2x2	1
3	1.14.01.068.00	Shaft	1
4	0.08.02.136.00	O-Ring OR 119 Viton	2
5	0.10.05.002.00	Bearing 30304	1
6	0.12.01.081.00	Plug 35x7	1
7	0.10.01.003.00	Bearing 6209	2
8	1.01.02.133.00	Housing	1
9	1.11.10.115.00	Gear 41 T	1
10	0.08.02.147.00	O-Ring OR 3525 Viton	1

REF.	CODE	DESCRIPTION	QT.
11	0.04.02.002.00	Lockwasher 8,4 UNI 1751	6
12	0.01.01.002.00	Capscrew TE M8x25 UNI 5739 CL RES 8.8	6
13	0.08.01.094.00	Seal 45x75x10 Viton	1
14	1.09.01.042.00	Support	1
15	0.10.05.004.00	Bearing 32304	1
16	0.01.05.052.00	Capscrew STEI M6x8 UNI 5925	1
17	0.12.01.049.00	Drain plug 18x1,5 FIAT 1/43236/11	1
18	0.01.05.038.00	Capscrew STEI G1/8 DIN 609 CL RES 5.8	2
19	1.29.01.129.00	Gasket PTO/gearbox	1

PTO PRESSURE LUBRICATION KIT CODE 2.99.134.0000



REF.	CODE	DESCRIPTION	QT.
1	0.08.02.148.00	O-Ring OR 108 Viton	1
2	1.10.02.074.00	Fitting	1
3	0.99.00.296.00	Hose Teflon 3/16	1
4	0.13.00.039.00	Fitting G1/8 M/M	1