

Three way (pump, cylinder, tank) air operated control valve for raising and lowering the tipping body.

Three positions:

- raising,
- slow lowering,
- fast lowering.

Relief valve setting up to 300 Bar.

Built-in check valve.

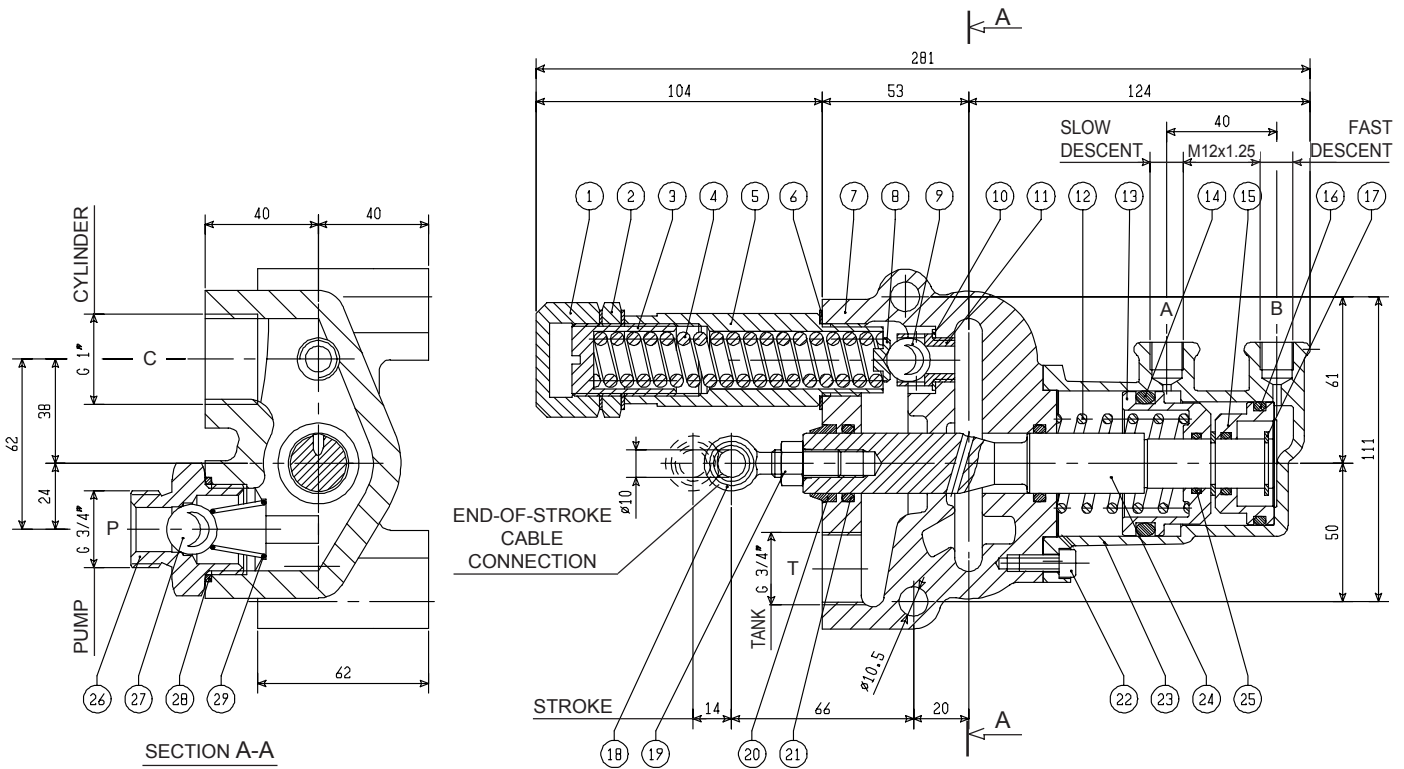
Flow up to 140 litres/min.

WEIGHT: kg. 4,5

3.3.1.016.00.XX

BASIC SERIAL NUMBER

RELIEF VALVE PRESSURE SETTING (Bar x 10)



REF.	CODE	DESCRIPTION	QT.
1	1.30.03.005.00	Plug	1
3	1.30.01.014.00	Screw mod.37	1
6	1.27.01.007.00	Washer 35x26,7x1 mod 41/8	3
5	1.99.00.016.00	By-pass extension mod.37/1	1
2	1.30.02.006.00	Hex nut mod36	1
7	1.06.01.005.00	D3-20/1 Valve body	1
4	1.28.01.016.00	Coil spring mod38/1	1
8	1.27.02.015.00	Ball cap mod63/2	1
9	0.11.01.005.00	Ball 5/8"	1
10	0.04.01.003.00	Washer 16x22x1	1
11	1.25.02.008.00	Ball seat mod 30/1 (for setting up to 220 bar)	1
	1.25.02.011.00	Ball seat mod 30/2 (for setting above 220 bar)	1
12	1.28.01.037.00	Coil spring	1
13	1.21.02.012.00	Piston	1
14	0.08.02.058.00	O-Ring OR 6162	1

REF.	CODE	DESCRIPTION	QT.
15	1.21.02.011.00	Piston	1
16	0.08.02.029.00	O-Ring OR 4150	1
17	0.07.03.001.00	Circlip RS15 UNI 7434	2
PARTS INCLUDED IN KIT No. 2.08.003.0000			
18	1.99.00.300.00	Tie rod	1
19	1.30.02.001.00	M10 Hex nut 14 CL RES 6S	1
20	0.08.05.003.00	Seal AS 22.285/8	1
21	0.08.02.027.00	O-Ring OR 4087	2
22	0.01.03.001.00	Capscrew TCEI M6x14 UNI 5931 CL RES 8.8	3
23	1.08.02.009.00	Cylinder	1
24	1.15.00.020.00	Valve spool	1
25	0.08.02.057.00	O-Ring OR 123	2
26	1.10.02.005.00	Nipple mod 44/2	1
27	0.11.01.006.00	Ball 23/32"	1
28	0.08.02.032.00	O-Ring OR 3131	1
29	1.28.02.004.00	Coil spring mod.45	1