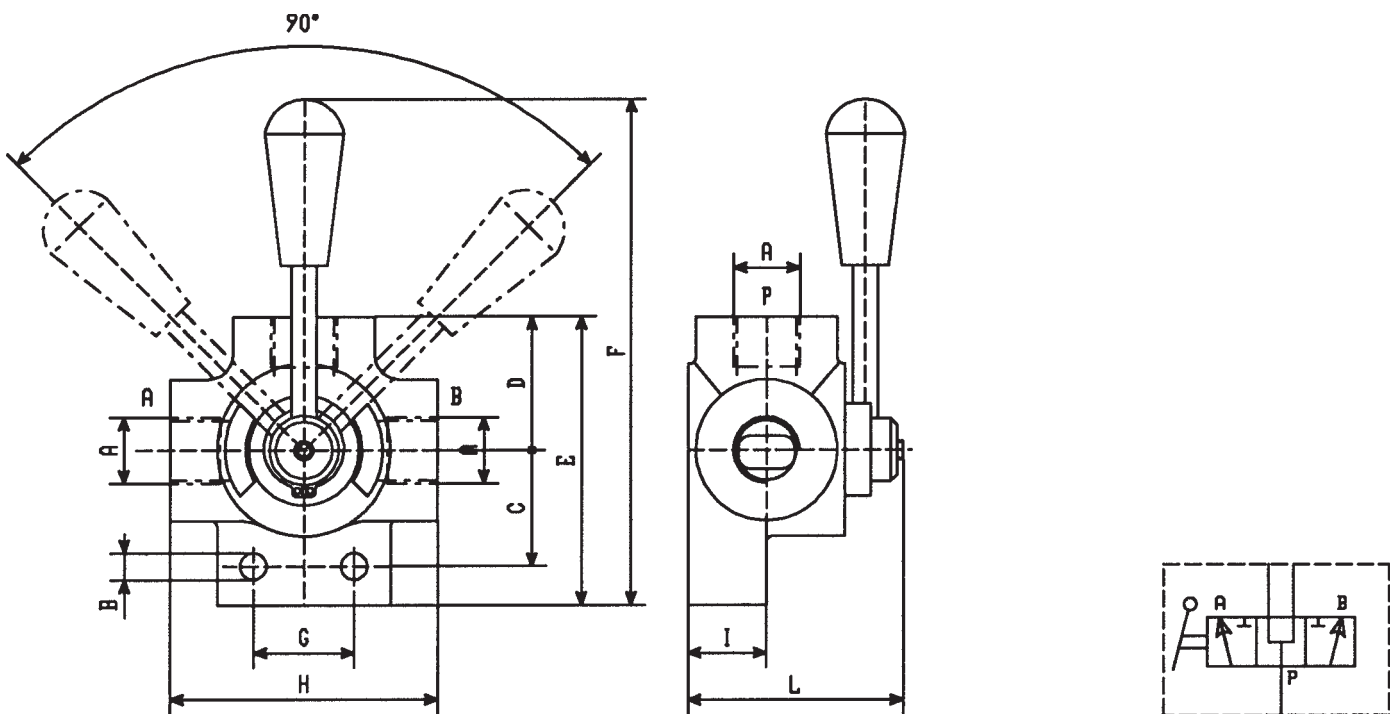
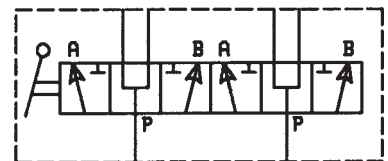
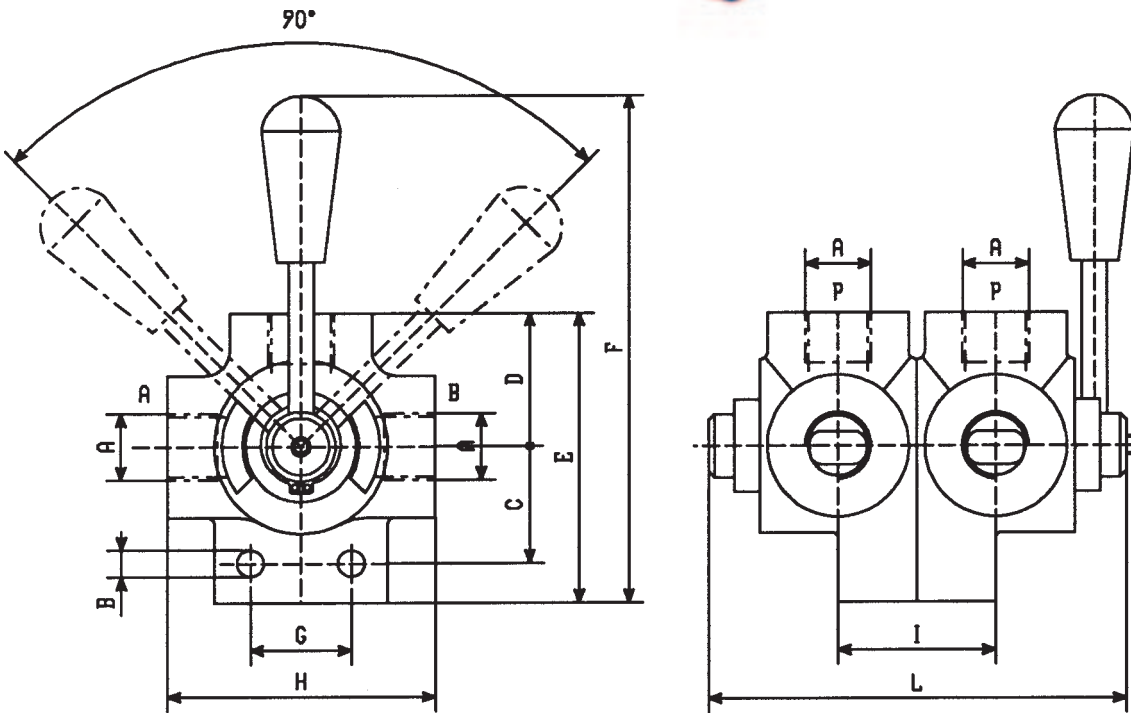


THREE WAY VALVE



CODE	DELIVERY Lt./1'	PRESSURE MAX. bar	DIMENSIONS									
			A	B	C	D	E	F	G	H	I	L
3.3.1.028.00.00	25	350	3/8" Gas	8.5	32	35	75	152	25	70	23	64
3.3.1.029.00.00	50	350	1/2" Gas	8.5	37	42.5	92	162	32	85	25	68
3.3.1.030.00.00	100	350	3/4" Gas	10.5	42	45	100	167	32	90	30.5	80
3.3.1.031.00.00	190	350	1" Gas	10.5	50	50	115	177	32	100	33	85

SIX WAY VALVE



CODE	DELIVERY Lt./1'	PRESSURE MAX. bar	DIMENSIONS									
			A	B	C	D	E	F	G	H	I	L
3.3.1.028.14.00	25 + 25	350	3/8" Gas	8.5	32	35	75	152	25	70	46	124
3.3.1.029.14.00	50 + 50	350	1/2" Gas	8.5	37	42.5	92	162	32	85	50	133