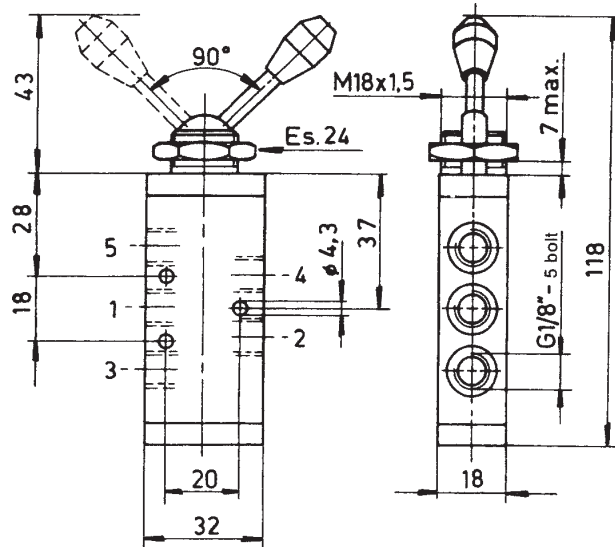
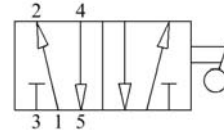




No. 1 in Transport Hydraulics

DOUBLE ACTING AIR CONTROL 2 POSITION 0000402300



Order Code	Description
0000402300	2 Position Detent.

Operational Characteristics	Fluid	Max Working Pressure	Operating Temperature		Flow Rate at 6 bar with p = 1	Orifice size Ø	Working Port Size
	Filtered		Min.	Max.			
	Filtered	10 bar	-5°	+70°	410 Nl/Min (5/3)	6mm	1/8"G



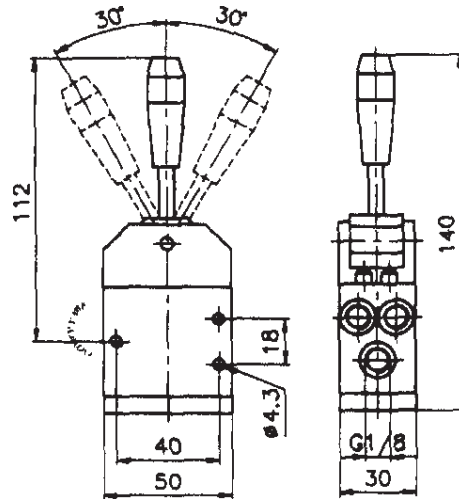
No. 1 in Transport Hydraulics



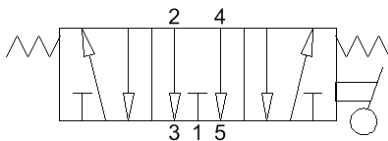
DOUBLE ACTING AIR CONTROL 3 POSITION

0000400800 (Spring Cent.)

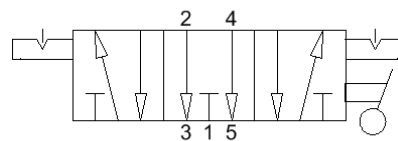
0000402100 (Detent)



Order Code	Description
0000400800	3 Position Spring Return
0000402100	3 Position Detent



0000400800
3 Position Spring Return



0000402100
3 Position Detent

Operational Characteristics	Fluid	Max Working Pressure	Operating Temperature		Flow Rate at 6 bar with p = 1	Orifice size Ø	Working Port Size
			Min.	Max.			
	Filtered	10 bar	-5°	+70°	410 NI/Min (5/3)	6mm	1/8"G