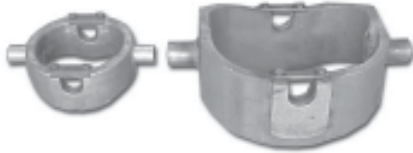
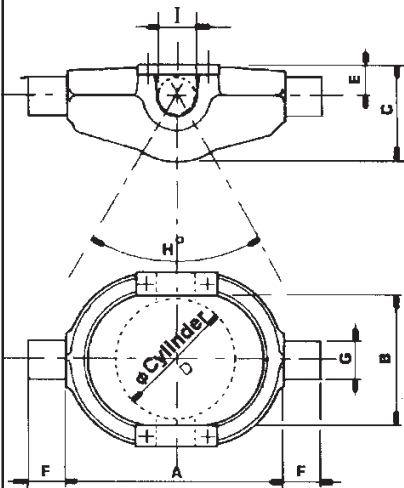


# UNDERBODY ACCESSORIES

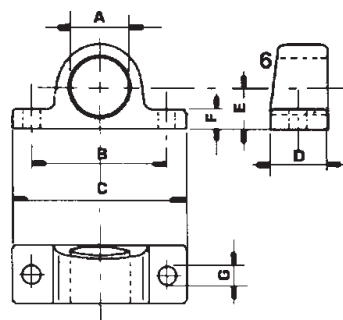


## CRADLES



Type	Cradle Dimensions									Wt Kg
	A	B	C	∅ D	E	F	∅ G	H	∅ I	
<b>Culla1</b>	200	120	77	95	25	35	35	65°	35	5
<b>Culla2</b>	230	135	97	112	28	40	40	75°	35	9
<b>Culla3</b>	230	155	107	124	31	40	40	65°	40	11
<b>Culla4</b>	280	185	125	152	40	45	50	60°	45	15
<b>Culla5</b>	330	215	155	170	45	55	50	60°	50	22
<b>Culla6</b>	390	235	205	190	65	55	50	60°	50	29

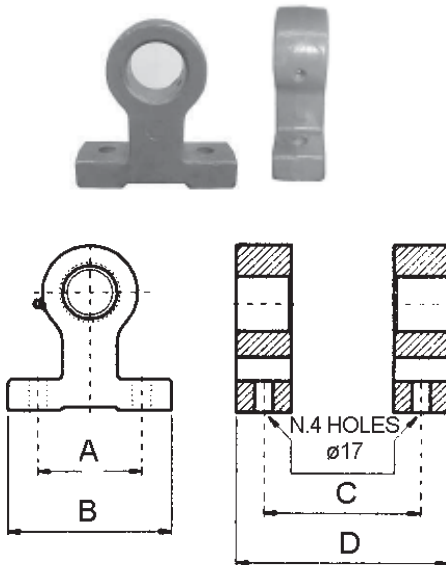
## FOOTMOUNTS



Type	Footmount Dimensions							Wt Kg
	∅ A	B	C	D	E	F	∅ G	
<b>SUP035</b>	35.5	95	130	45	30	12	13	1
<b>SUP040</b>	40.5	105	140	45	33	15	15	1.2
<b>SUP045</b>	45.5	105	140	45	33	15	15	1.2
<b>SUP050</b>	50.5	120	155	50	37	17	15	1.5

## FRONT OF BODY ACCESSORIES

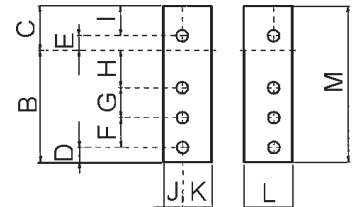
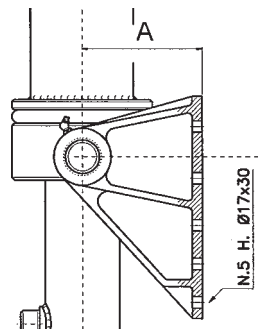
### FOOT MOUNTS



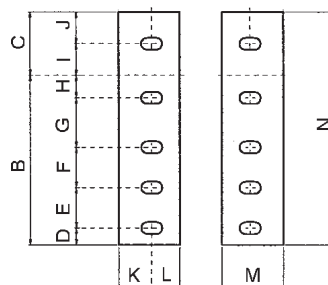
\*\*\*SUP060C suits MF145 & MFC145 after serial no. 20009

Suit Hoist Series	Code	Dimensions (mm)				Weight (Kg's)
		A	B	C	D	
MFC075	SUP045B	95	150	185	235	4.2
MFC090,	SUP050B	95	150	200	250	3.8
MFC107	SUP050B	95	150	220	270	3.8
MF126, MFC126, MF145, MFC145,	SUP050B ***	95	150	240	290	3.8
FS126	SUP050FS	95	150	240	290	3.8
FS165	SUP050B	95	150	280	330	3.8
MF165	SUP060B	165	215	305	375	8.5
MF187	SUP063.5B	165	220	343	451	9.8

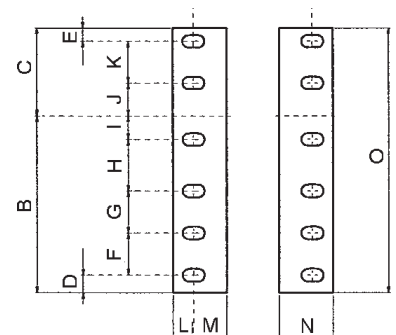
### UPPER MOUNTS



1 **MFC075**



2 **MFC090, MFC126, MFC145**



3 **MFC165**

	Code	Dimensions (mm)														Weight (Kg)	Suit Hoist Series	
		A	B	C	D	E	F	G	H	I	J	K	L	M	N			O
1	SUP075	170	150	60	20	20	40	40	50	40	25	40	65	210	-	-	3.2	MFC075
2	SUP126	178	240	90	24	57	57	70	32	45	45	47	40	87	330	-	9	MFC090-126
3	SUP165	229	240	120	24	18	57	57	70	32	45	57	28	45	73	360	15	MFC165