



HYDRAULIC COMPONENTS & POWER TAKE OFFS

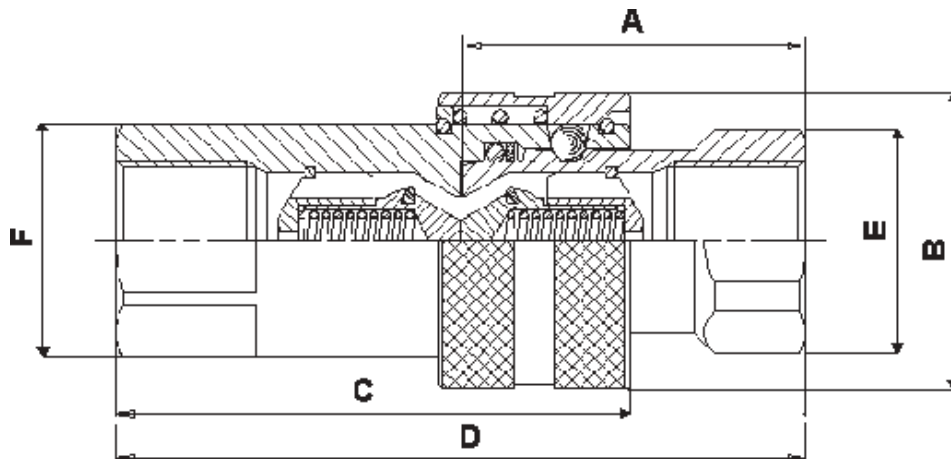


POPPET STYLE QUICK RELEASE COUPLINGS

80050000X

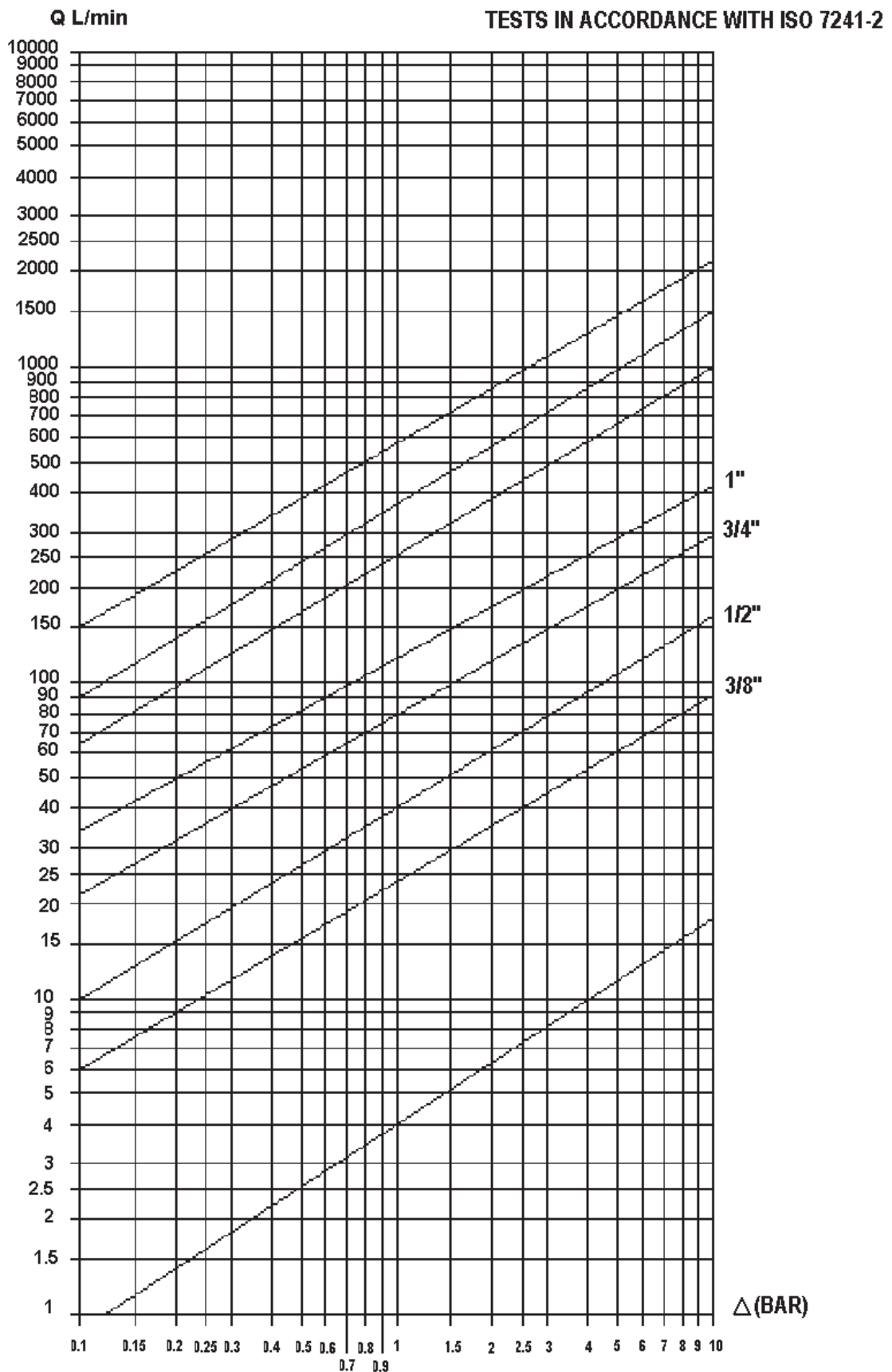
Features:

- Compact design to ISO "A" norm
- Easier connect and disconnect
- When connected male and female halves will freely rotate avoiding torsional stress on flexible hoses



SIZE	CODE MALE	CODE FEMALE	NOMINAL DIA	MAX WORKING PRESSURE	DIMENSIONS					
					A	B	C	D	E	F
3/8"	800500003	800500002	10	350 Bar	32	26	47	64.5	21	22
1/2"	800500005	800500004	12.5	250 Bar	44.5	38	63	86	29	30
3/4"	800500007	800500006	20	250 Bar	55	48	82	111	38.5	44
1"	800500009	800500008	25	230 Bar	53	54	97	127	45	52

POPPET STYLE QUICK RELEASE COUPLINGS FLOW GRAPH



FLUID: HYDRAULIC OIL SAE10W
TEMPERATURE: 50°C
VISCOSITY: 3E°



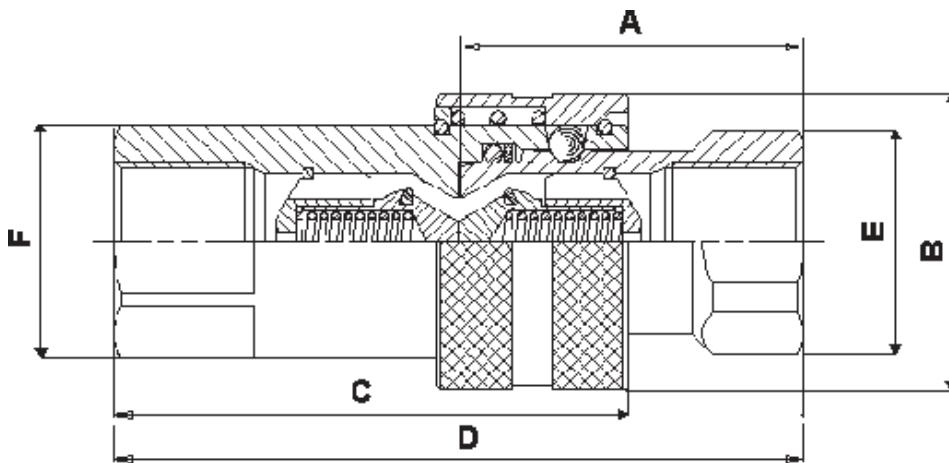
HYDRAULIC COMPONENTS & POWER TAKE OFFS

TEMA QUICK RELEASE COUPLINGS TEM



Features:

- Safety hold keeps coupling closed
- Fully interchangeable



SIZE	CODE MALE	CODE FEMALE	DUST PLUG	DUST CAP	MAX WORKING PRESSURE	DIMENSIONS					
						A	B	C	D	E	F
3/4"	TEM-7520	TEM-7510	TEM-7515	TEM-7525	230 Bar	46	52	73	90.6	39	40.8
1"	TEM-10020	TEM-10010	TEM-10015	TEM-10025	230 Bar	63	62	98.5	126.6	47.8	47.8

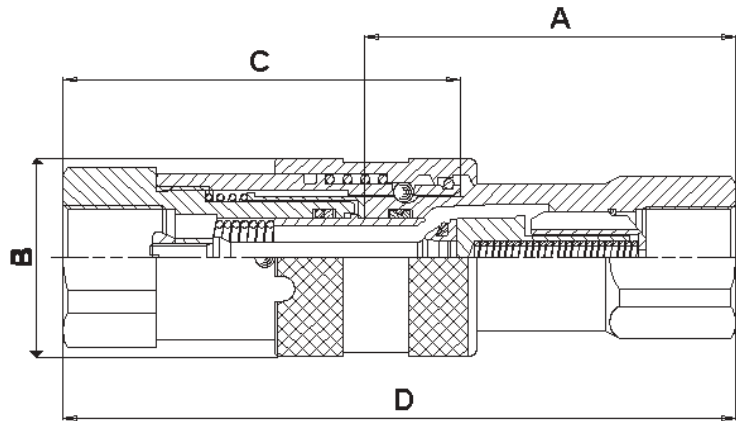


FLAT FACE COUPLINGS 8008000XX



Features:

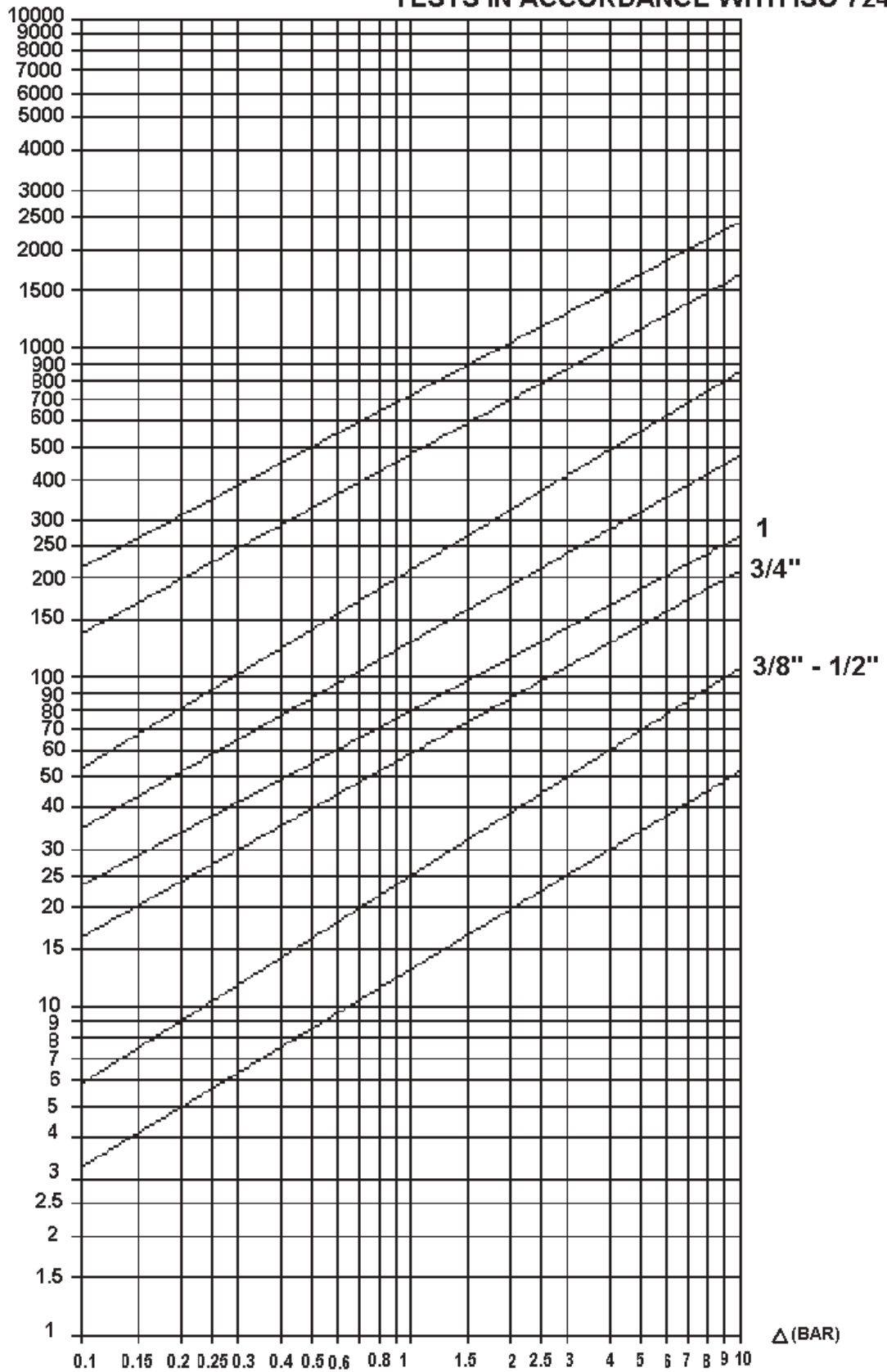
- Streamlined internal flow path minimises pressure drops
- Bi-directional linear flow
- The coupling can rotate when connected avoiding torsion of the flexible hoses
- Flat mating faces are easily wiped clean to prevent the intrusion of contaminants
- Total locking of the coupling guaranteed either when coupled or when disconnected



SIZE	CODE MALE	CODE FEMALE	NOMINAL DIA	MAX WORKING PRESSURE	DIMENSIONS			
					A	B	C	D
3/8"	800800005	800800004	9	300 Bar	60	32	69	115
1/2"	800800003	800800002	9	300 Bar	63	32	70	117
3/4"	800800011	800800010	15	250 Bar	70.5	42	80.5	134.5
1"	800800013	800800012	17	250 Bar	82.5	48	92.5	154

FLAT FACED COUPLINGS FLOW GRAPH

TESTS IN ACCORDANCE WITH ISO 7241-2



FLUID: HYDRAULIC OIL SAE10W
 TEMPERATURE: 50°C
 VISCOSITY: 3e°