



Hydraulic Winch

8000lb Planetary Winch



- ◆ One stage planetary winch entirely bathed in oil
- ◆ Rated for 3600kg
- ◆ High line speed
- ◆ Automatic safety brake
- ◆ Overcenter valve (Optional)

Order Code

EPH X 3600

EPH X 3600A

Description

8000 lb Planetary Winch with Manual Clutch

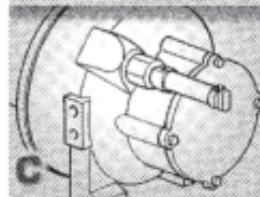
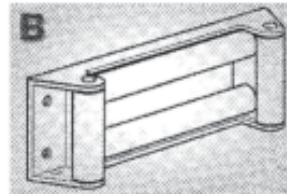
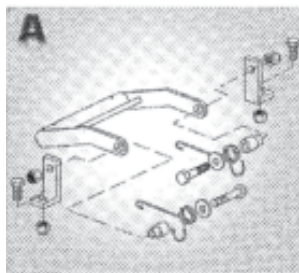
8000lb Planetary Winch with Air Clutch

Direction of Rotation viewed from motor end

A = Clockwise

B = Anticlockwise

ACCESSORIES

**A** Galvanised level winder

ORDER CODE - LW/EPH

B Heavy-duty galvanised roller fairlead

ORDER CODE - RF/EPH3600

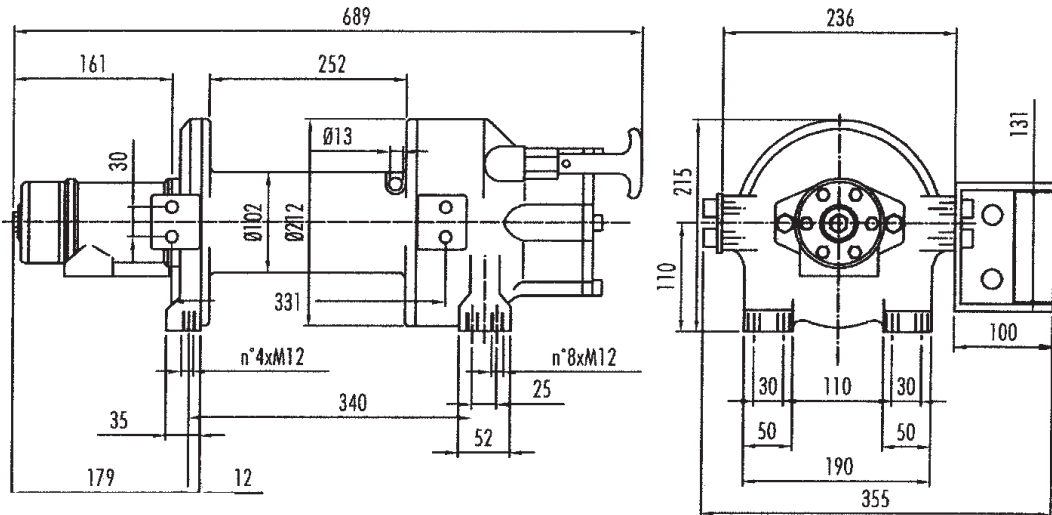
C Air cylinder shifter

ORDER CODE - AK/EPH

Wire Rope & Hook (10mm x 50mt)

ORDER CODE - B2070/10MMX50MT/EH

Dimensional Data



EPH X 3600 / EPH X 3600A *air shift option same dimensions

Technical Data

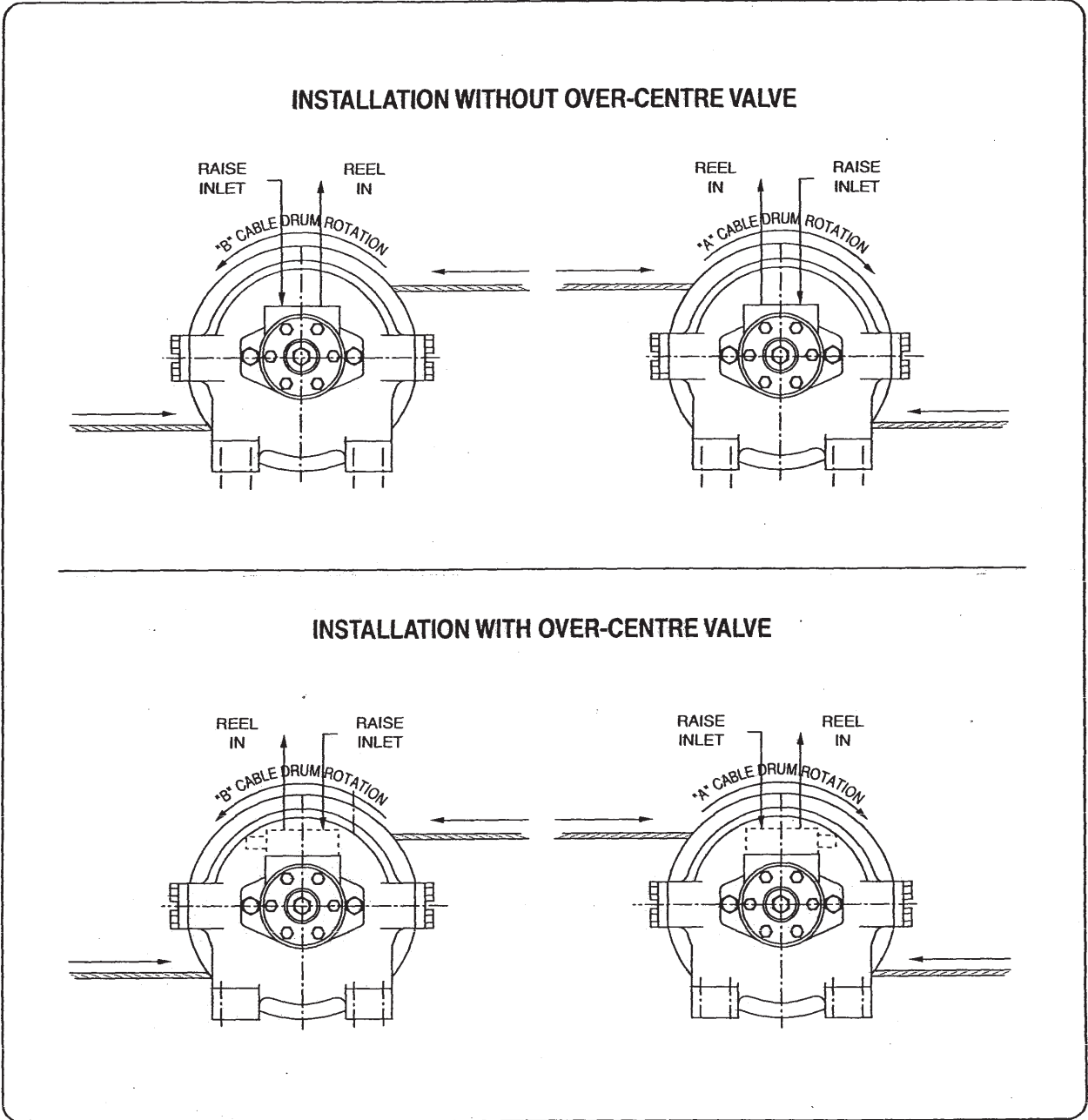
Drum	Weight without cable	Wire rope capacity	Max.wire rope capacity	Recommended Wire Rope Grade
	Kg	10mm	10mm	2070 35 x 7 wire inner core
EPH X 3600	44	45	55	

Maximum Pressure	150Bar	Maximum Flow	60 Lt.min	
------------------	--------	--------------	-----------	--

Ratio	Wire Rope Size (mm)	Layer	Line Pull (Kg)	Oil Supply	Drum Revolution	Line Speed Mt/min				
				Lt/Min	RPM	Layers				
	1	2	3			4	5			
5.3 : 1	10	1	3600	40	30.56	10.74	12.66	14.58	16.50	18.42
		2	3050	50	38.67	13.59	16.02	18.45	20.88	23.31
		3	2650	60	47.16	16.58	19.54	22.50	25.47	28.43
		4	2350							
		5	2100							

WARNING: Designed for TOWING ONLY. Not designed for transporting people or lifting.

Hydraulic Motor Linking



⚠ WARNING
 Do not reverse cable rotation, it may damage winch gears.