



Hydraulic Winch

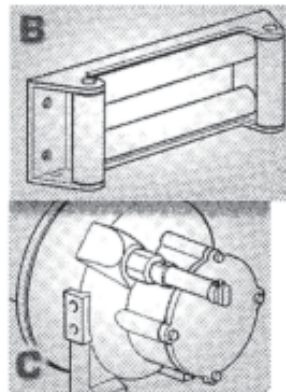
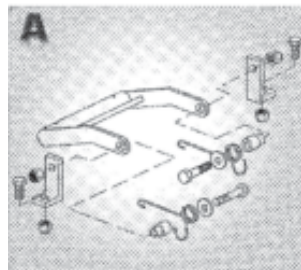
20000lb Worm Winch



- ◆ Heavy Duty Worm Drive
- ◆ Rated for 9000 kg
- ◆ High line speed
- ◆ Overcenter valve (Optional)

Order Code	Description
MH 9000	20,000 lb Worm Winch Manual Clutch
MH 9000A	20,000 lb Worm Winch Air Clutch

ACCESSORIES



A Galvanised level winder

ORDER CODE - LW/MH

B Heavy-duty industrial galvanised roller fairlead

ORDER CODE - RF/MH

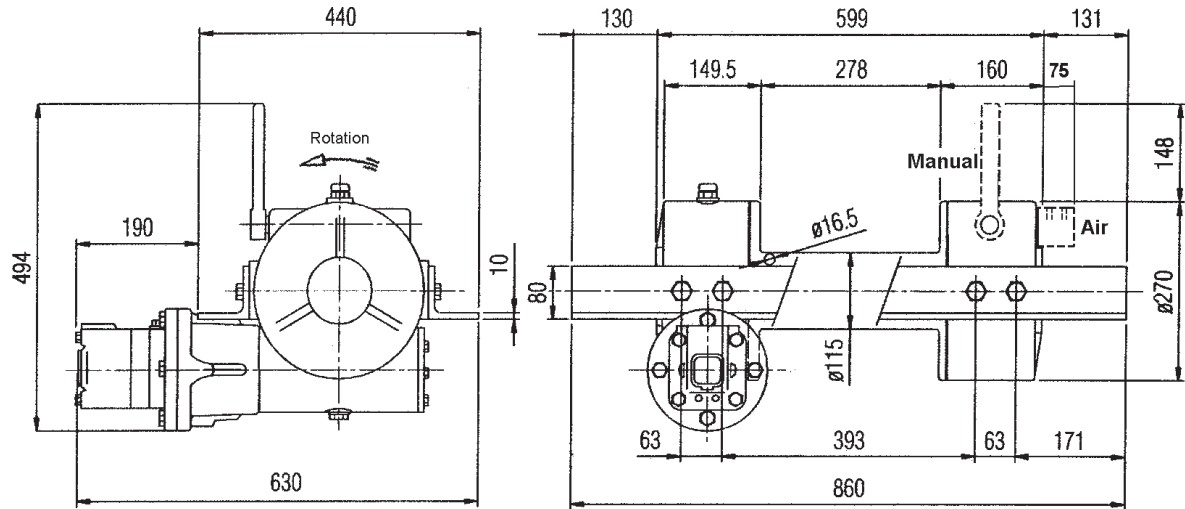
C Air cylinder shifter

ORDER CODE - WINCH CODE MH9000A

Wire Rope & Hook (16mm x 30mt)

ORDER CODE - B2070/16MMX30MT/EH

Dimensional Data



MH 9000 / MH9000A

Technical Data

Drum	Weight without cable	Wire rope capacity	Max.wire rope capacity	Recommended Wire Rope Grade
	Kg	16mm	16mm	
MH9000	115	30	35	2070 35 x 7 wire inner core

Maximum Pressure	150Bar	Maximum Flow	100 Lt.min	
-------------------------	--------	---------------------	------------	--

Ratio	Wire Rope Size	Layer	Line Pull
	(mm)		(Kg)
35 : 1	16	1	9000
		2	7300
		3	6140
		4	5300
		5	---

Oil Supply Lt/Min	Drum Revolution RPM	Line Speed M/min				
		Layers				
		1	2	3	4	5
60	6.85	2.8	3.44	4.09	4.73	---
80	9.14	3.73	4.59	5.45	6.31	---
100	11.42	4.66	5.73	6.81	7.89	---

WARNING: Designed for TOWING ONLY. Not designed for transporting people or lifting.