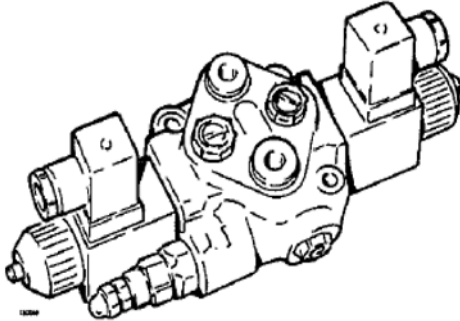




No. 1 in Transport Hydraulics

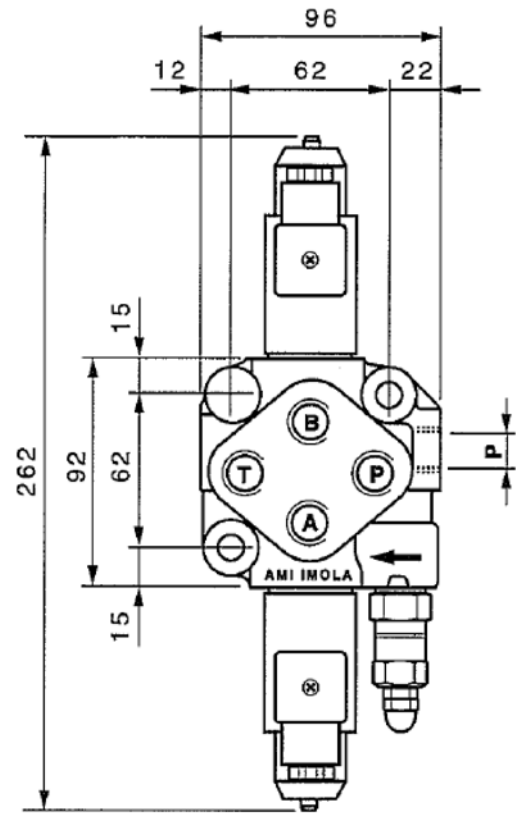
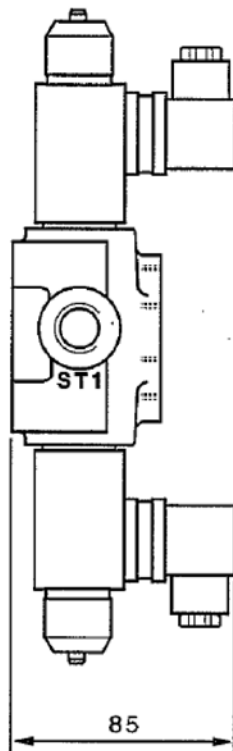
ELECTRIC TIPPING VALVE L45A1Bx



Features:

- ✓ Up to 45lt flow
- ✓ 300bar maximum
- ✓ 12 & 24 Volt

Flow up to 45litres/min
 Preset pressure 140Bar (2000Psi)
 Pump Inlet 3/8" BSPP
 Ram Outlet 3/8" BSPP
 Tank Return 1/2" BSPP
 Weight: 3.3Kg



SPARE PARTS

Code	Description
EC/L45	12 Volt Coil & Stem
FC/L45	24 Volt Coil & Stem
SKVA016	Seal Kit

L45A1Bx

E = 12 VOLT
 F = 24 VOLT