

EU – COMP Underdeck Compressor Kits



Model - EU11
20-40cfm / 190psi

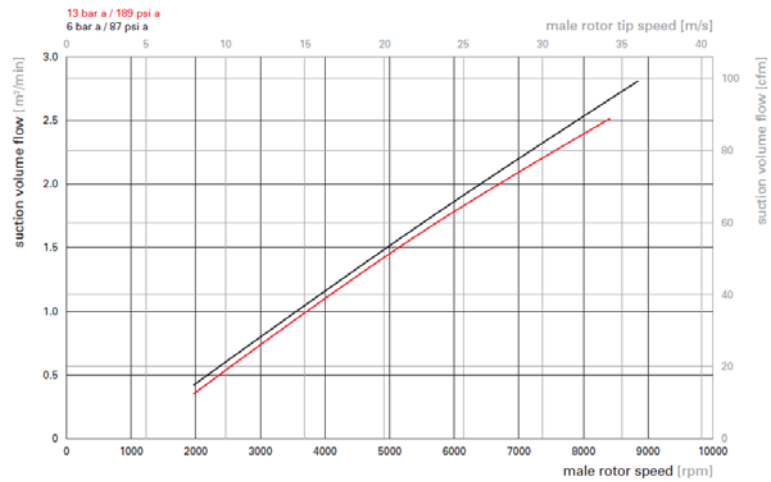
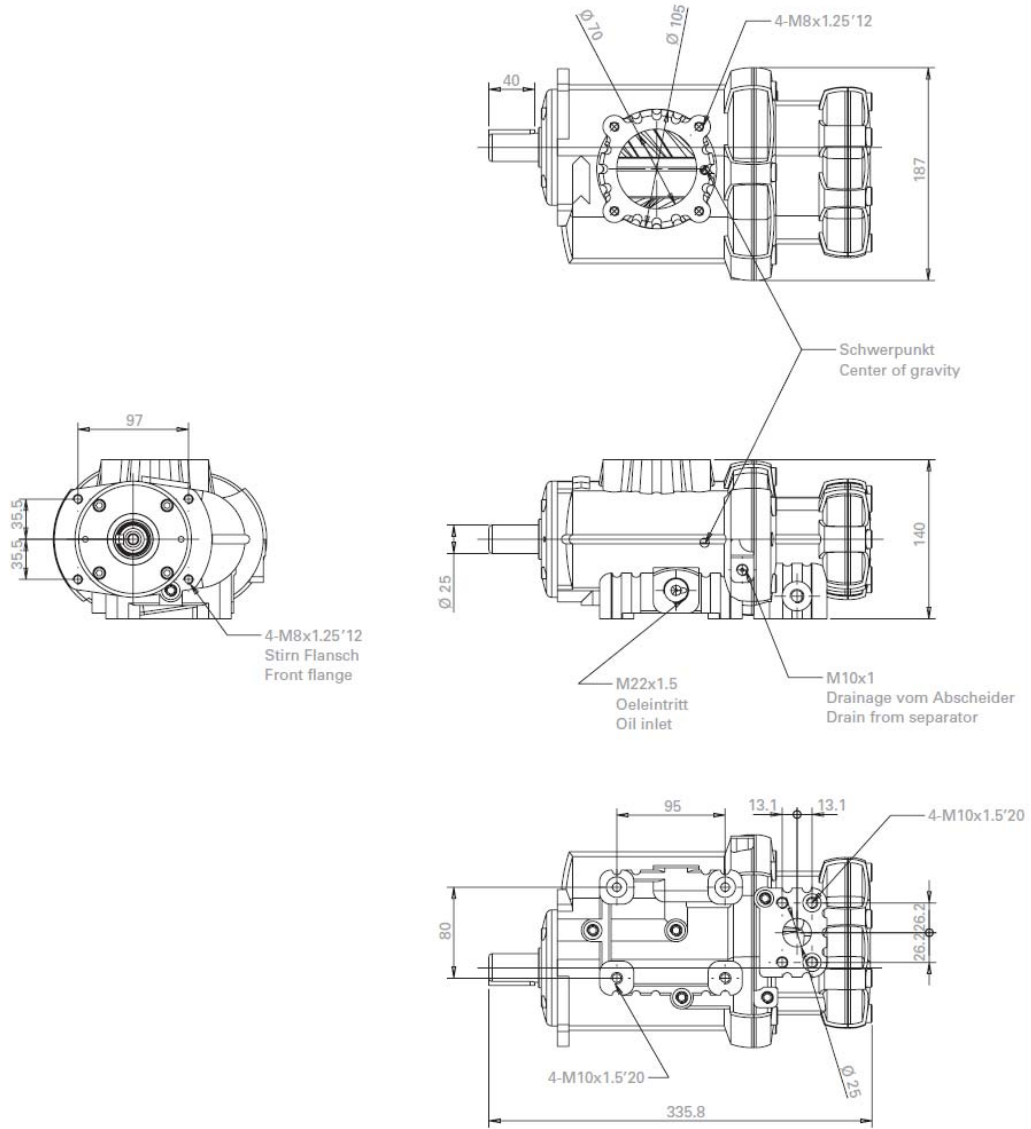
Introduction

EU-Comp is a Quality based German manufacturing company specialising in underdeck compressor systems.

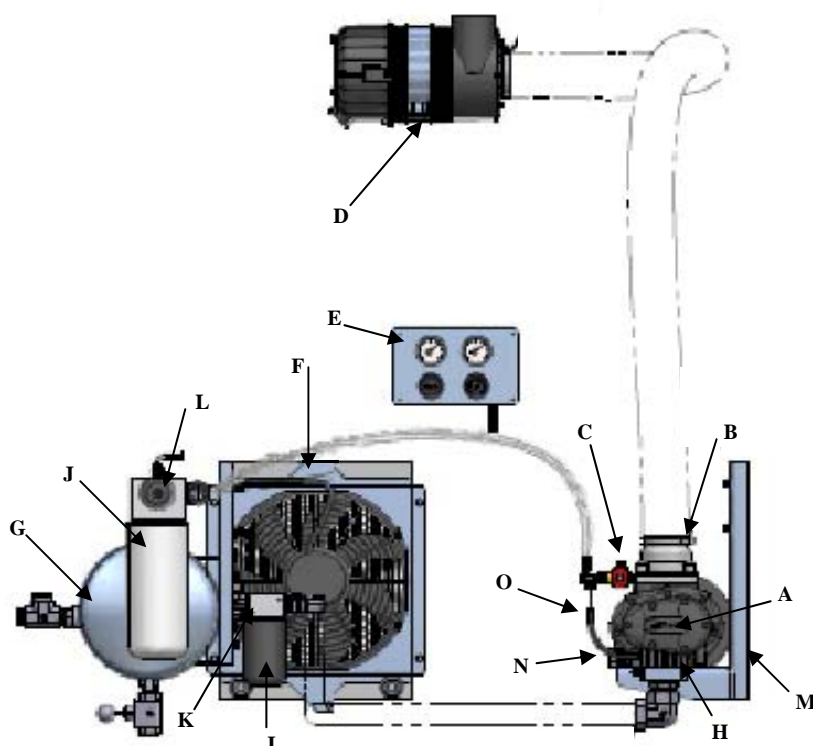
In 2008 Mega Pacific was appointed the agent for EU-Comp in the Australian market and has developed a complete kit solution for both Hydraulic and Mechanically driven underdeck compressors from 20Cfm to 120Cfm.



EU11 Compressor



Kit Components



Part	Code	Description	Qty
A	EU11	Compressor	1
PLUS ORDER COMPONENT KIT CK/001-EU11			
B	AV20005/EU11/(12V/24V)	Air intake valve (12V/24V)	1
C	2101400002	Thermal switch (12V/24V)	1
D	FA300	Air inlet filter	1
E	LE9000001	Control panel – Oil press, air press & hour meter	1
F	AH1012-(12V/24V)	Oil Cooler	1
G	LE900004	Oil/Air separator tank	1
H	RRA400008	Discharge port flange	1
I	RRR800014	Oil filter	1
J	RRR8000026	Separator Filter	1
K	RRR9000006	Oil filter / thermo valve	1
L	RRR9000005	Air/Oil min pressure block	1
M	LE9000005/EU11	Compressor bracket	1
N (1)	RRR600151	Bell Housing suit MA18 Motor	1
N (2)	RRA600012	Coupling suit MA18 Motor	1
O	MA18CK1POU200SV	Leduc Piston Motor	1

* Complete hose and fitting kit provided in each kit.

* Each kit comes with 1 x Air output.

* Kits can be supplied as either mechanical (shaft) drive on request and if suitable.